

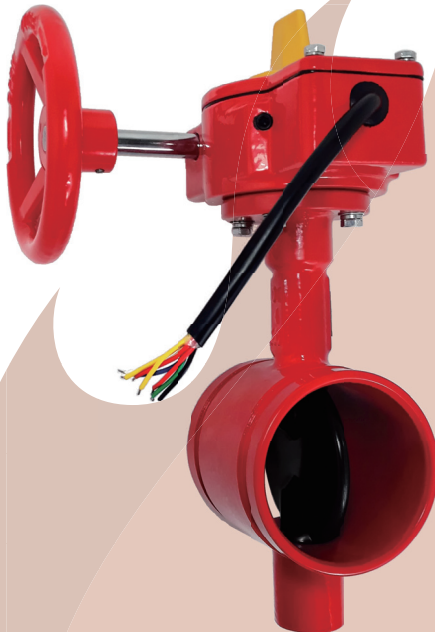
HANTS® FIRE PROTECTION

UL Groove Type Butterfly Valve

HBF-300G



HBF-300G



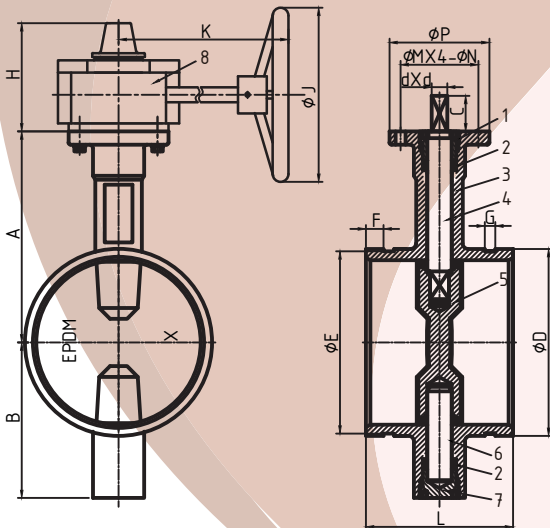
Valve Standard:
Conforms to API 609

Top/Test Standard:
ISO 5211 / API 598

Working pressure:
300PSI

Flanged Ends:
ANSI B16.1 Class125/150/250

Size: 2 1/2"(DN65) to 12"(DN300)



NO.	Parts Name	Material
1	Upper Shaft Sealing Nut	WCB
2	Shaft Seal	EPDM
3	Body	Dustile Iron
4	Upper Shaft	SS416
5	Disc	Ductile Iron+EPDM
6	Lower Shaft	SS416
7	Low Shaft Sealing Nut	WCB
8	Signal Gearbox	Ductile Iron

Size(mm)	2.5"	3"	4"	5"	6"	8"	10"	12"
A	125	140	160	170	190	230	260	300
B	95	100	110	125	140	175	200	240
C	32	32	32	32	32	32	45	45
D	76.1	88.9	114.3	114.3	168.3	219.1	273	324
E	72.1	84.9	110.1	137	164	214.6	268.3	318.3
F	15.9	15.9	15.9	15.9	15.9	19	19	19
G	7.9	7.9	9.5	9.5	9.5	11.1	12.7	12.7
H	111	111	111	111	111	126	126	161
K	218	218	218	218	218	232	232	232
J	152	152	152	152	200	300	300	350
P	90	90	90	90	90	125	125	150
M	70	70	70	70	70	102	102	125
N	9	9	9	9	9	12	12	14
d	10	11	14	14	16	19	22	24
L	96.4	97	115.1	132.4	132.4	147.4	159	165