

# DIGITAL PRESSURE GAUGE 2.5"

**DPG3500-W** – WEATHER PROOF TYPE

**DPG3500-G** – GENERAL TYPE

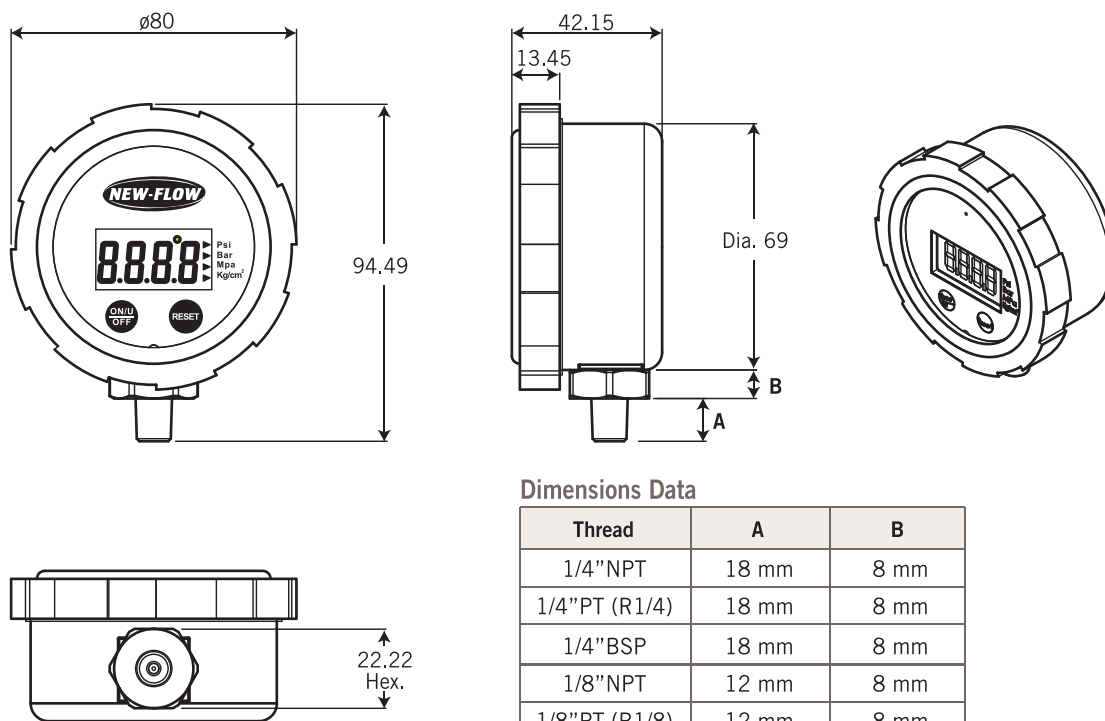
**Pressure Range: 0 to 5000 psi**  
**Temperature Compensation: -10 to +60°C**  
**Unit Selection: Psi, Bar, Mpa, Kg/cm<sup>2</sup> available**  
**Zero Adjustment**  
**Weather Proof**

The New-Flow DPG3500 Digital Pressure Gauge is designed to handle any applications by measuring air, liquid, and oil pressure. DPG3500 is using the most update temperature compensation technology, and the superior pressure meter equipped with variety of function such as unit selection, zero adjustment, and guarantee to long battery life, so it can be used for a variety of industrial and commercial applications without replacing battery for 3 years typical.

## Technical Data

- Power Supply:** Lithium Battery CR123A (3.0V, 1400mAh)
- Sampling Rate:** 1.2 sec. max.
- Battery Life:** Without Back-Lighted: 3 Years for continuous operation;  
Using Back-Lighted for 5secs (5 times per day): 1.5 Years for continuous operation
- Pressure Range:** 0~5000 PSI
- Pressure Unit:** Psi, Bar, Kg/cm<sup>2</sup>, Mpa
- Burst Pressure:** 2 Time of F.S.
- Resolution:** 1/1500 maximum
- Working Temperature:** -10°C ~ +60°C
- Working Humidity:** 35~85% RH
- Accuracy:** ±1.0% F.S. (@25±3°C)
- Port:** Male thread 1/4"NPT, 1/4"PT (R1/4), 1/4"BSP, standard;  
1/8"NPT, 1/8"PT (R1/8), 1/8"BSP available
- Wetted Parts Material:** SS316L
- Measure Media:** Gas and Liquid (compatible with wetted parts material SS316L)
- Weather Proof:** only for DPG3500-W
- Weight:** approx. 0.3 kg

## Dimensions



Dimensions Data

Thread	A	B
1/4"NPT	18 mm	8 mm
1/4"PT (R1/4)	18 mm	8 mm
1/4"BSP	18 mm	8 mm
1/8"NPT	12 mm	8 mm
1/8"PT (R1/8)	12 mm	8 mm
1/8"BSP	12 mm	8 mm

unit=mm

### Approvals:



**DPG3500-G**  
(General Type)



**DPG3500-W**  
(Weather Proof Type)

**Ordering Information**

DPG3500	<b>Code</b>	<b>Type</b>							
	W	Weather proof type							
	G	General type							
		<b>Code</b>	<b>Pressure Range</b>						
		1	15 psi	2	50 psi	3	100 psi	4	200 psi
		5	300 psi	6	500 psi	7	1000 psi	8	3000 psi
		9	5000 psi						
			<b>Code</b>	<b>Connection Port</b>					
			A	1/8"NPT male					
			B	1/8"PT (R1/8) male					
		C	1/4"NPT male, standard						
		D	1/4"PT (R1/4) male, standard						
		E	1/8"BSP male						
		F	1/4"BSP male, standard						
			<b>Code</b>	<b>Power Supply</b>					
			A	Lithium Battery CR123A (3.0V, 1400mAh)					
DPG3500									<b>Complete Ordering Code</b>

WWW.NEW-FLOW.COM • TEL: 866-7-8135500 • FAX: 866-7-8225588 • Email: info@new-flow.com

**PRESSURE**