

# SIGHT GLASS

## SOG SERIES-250

### Technical Data

**Size:** 1/2" ~2" available

**Connection Type:** NPT, BSP, and Socket-Weld available

**Pressure Limited:** Up to 16Bar(Kg/cm<sup>2</sup>) @25°C water;  
depending on request size

**Temperature Limited:** Up to 200°C

**Material:** Wetted Parts & Body- SS304, SS316 and Others on request;

Sight Glass- Transparent Tempered Glass; Bolt- SS304 and Others on request;

Gasket- Non-Asbestos, and Others on request

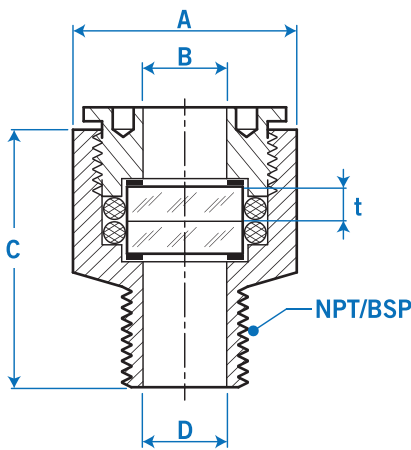


### Approvals:



### Dimensions

#### THREAD Type:

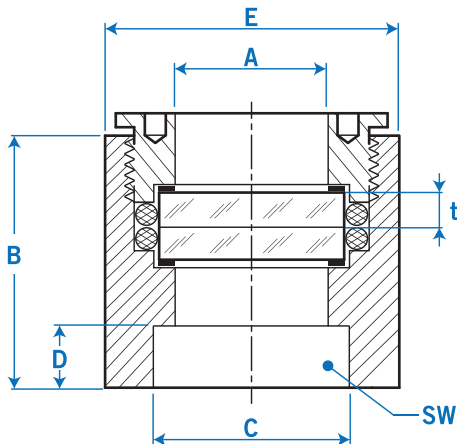


#### Dimensions Data

unit=mm

NPT/BSP	A	B	C	D	t
1/2"	50.8	19.0	53.0	14.0	8.0
3/4"	50.8	19.0	53.0	19.0	8.0
1"	70.0	38.0	63.0	24.3	8.0
1 1/4"	70.0	38.0	63.0	35.0	8.0
1 1/2"	70.0	38.0	63.0	38.0	8.0
2"	70.0	38.0	63.0	38.0	8.0

#### SOCKET-WELD Type:



#### Dimensions Data

unit=mm

SW	A	B	C	D	E	t
1/2"	19.0	48.0	22.5	9.5	50.8	8.0
3/4"	19.0	49.0	28.0	11.0	50.8	8.0
1"	38.0	50.8	35.0	11.0	70.0	8.0
1 1/4"	38.0	52.0	43.0	14.0	70.0	8.0
1 1/2"	38.0	54.0	50.0	16.0	70.0	8.0

### Ordering Information

SOG	Code	Type				
↓	250T	Thread Type	250S	Socket-Weld Type		
		Code	Body Material			
	1	SS304	2	SS316	3	Option
		Code	Size			
			(A) 1/2" (B) 3/4" (C) 1" (D) 1 1/4" (E) 1 1/2" (F) 2"			
		Code	Connection Type			
		(N) NPT (B) BSP (O) Socket-Weld only				
SOG						Complete Ordering Code