

HORIZONTAL MAGNETIC LEVEL SWITCH

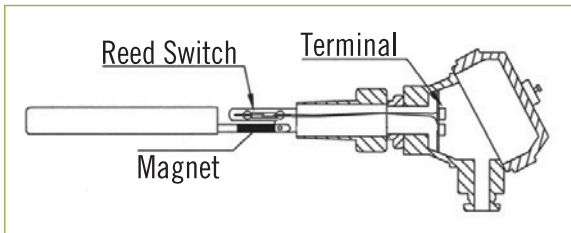
LR SERIES

The LR Series of float-operated level switch. Suitable for control the liquid level with horizontal mounting. The float extension arm moves a magnet which actuated reed switch offer an open or closed contact upon request by user.

Technical Data

- General Purpose Type
- Weather Proof Type- IP68
- Explosion Proof Type
- Chemical Duty
- Sp. Gr.: Minimum 0.6
- Screwed Mounting
- Connection: 1/2", 3/4" or 1"NPT male available
- Max. Pressure: 10 kg/cm²
- Max. Temperature: -10°C~120°C
- Float Material: SS316
- Wetted Parts Material: SS316
- Reed Switch: One switch and Two switch available (Two switch is only for the size of 3/4" and 1")

Approvals:



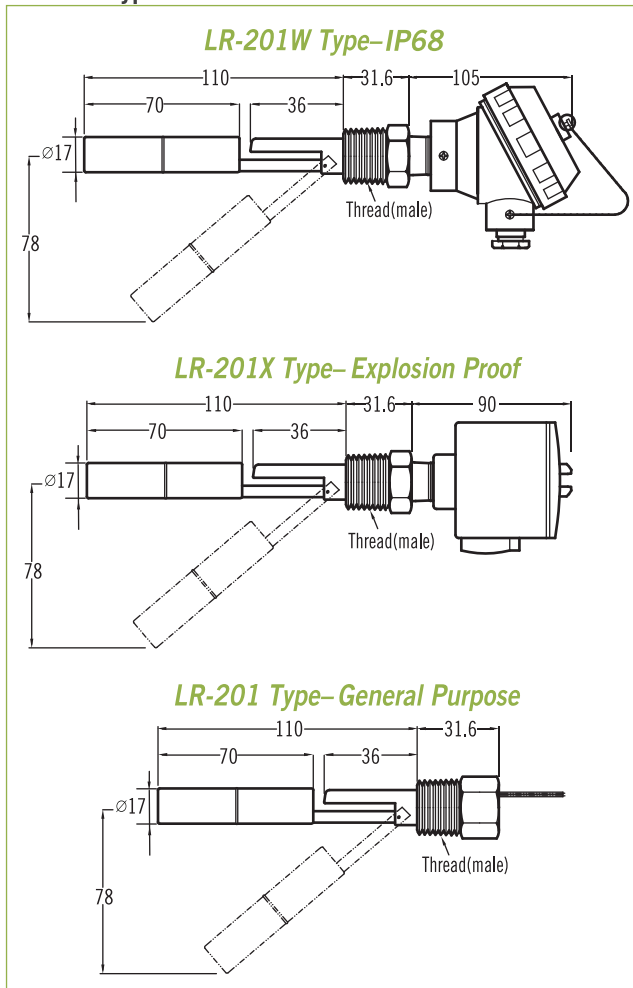
Reed Switch Type

Contact Form	A1 (SPST)	A2 (SPST)	C (SPDT)
Switching Capacity Max.	40 WVA	10 WVA	20 WVA
Switching Voltage Max.	230V AC/DC	100VDC, 250VAC	150V AC/DC
Switching Current Max.	2A	1A	1A
Carrying Current Max.	3A	1.5A	2A

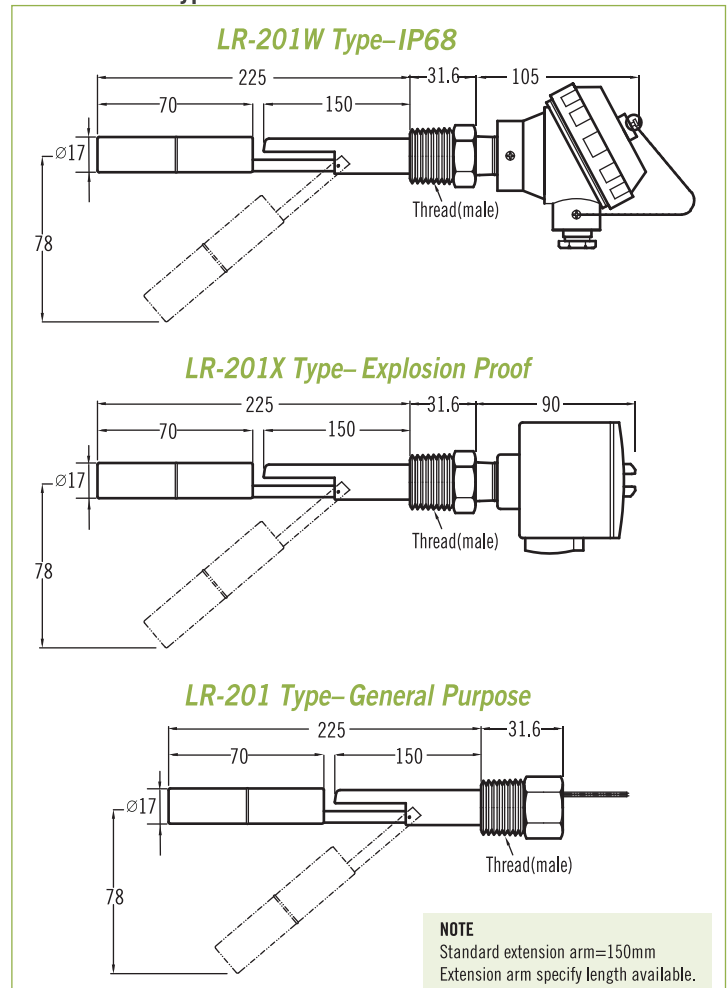
*Special rate available on request.

Dimension-mm

Standard Type



Extension Arm Type



NOTE
Standard extension arm=150mm
Extension arm specify length available.

Head Type Technical Data for LR-201X (Explosion Proof Type)



XDS TYPE



XDA TYPE



S1 TYPE



ES & EA TYPE

XDS / XDA Type

Material: XDS-SS316; XDA-Aluminum alloy

Weight: XDS-1278 g; XDA-460 g

Protection tube connection:

1/2"PF, 3/4"PF, 1/2"NPT, 3/4"NPT

1/2"BSP, 3/4"BSP, G1/2", G3/4"

M20x1.5, M24x1.5, M25x1.5

Extension wire connection:

M20x1.5, M25x1.5, 1/2"NPT, 3/4"NPT

EC certificate no.: BSI 07 ATEX 1532458U

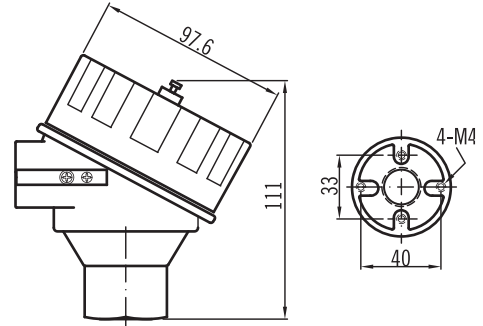
ATEX directive code: II 2 G D

Standard code: Ex d IIC T6, Ex tD A21

T100°C IP68

FM Approvals: XP/II/1/ABCD/T6; DIP/II,III/1/EFG/T6;
Type 4X

Explosionproof for Class I, Division 1, Groups A,B,C and D; and dust-ignitionproof for Class II, III Division 1, Groups E,F and G, hazardous (classified) locations; indoor / outdoor (NEMA Type 4X).



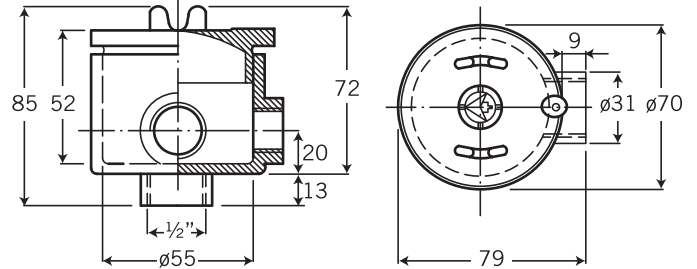
S1 Type

Protection: Explosion proof, EEx d IIC-T6, II 2 GD; IP66

Material: Aluminum alloy

Terminal Block: 4 x 4 mm² (on request)

Weight Gr.: 350g



ES & EA Type

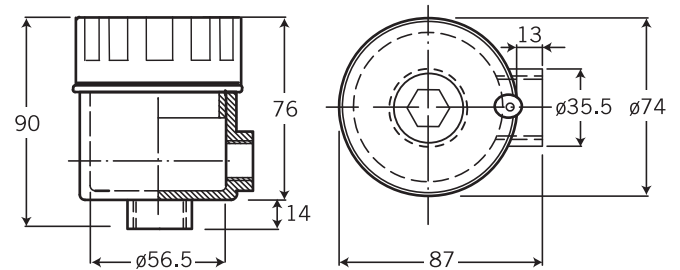
Protection: Explosion Proof Type

Material: ES: SS316 / EA: Aluminum Alloy

Extension wire connection:

1/2", 3/4" (PF, NPT, BSP)

Weight: 1054 g



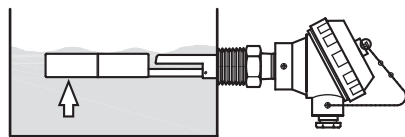
* SPDT contact is available for (A)(B)(C)(D).

* SPST contact is only available for (A) or (C).

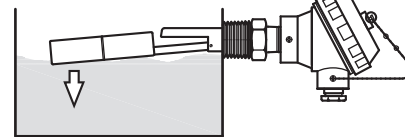
Under SPST contact, please specify the action mode when place an order!

Float Level Switch Action Mode

(A) Switch Action: Close (ON)

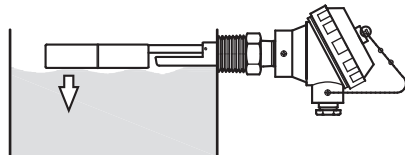


(B) Switch Action: Close (ON)



(C) Switch Action: Close (ON)

Particle or Garbage mixed liquid no recommend



(D) Switch Action: Close (ON)

Particle or Garbage mixed liquid no recommend

