

THERMOCOUPLE AND RTD ASSEMBLIES

Approvals:



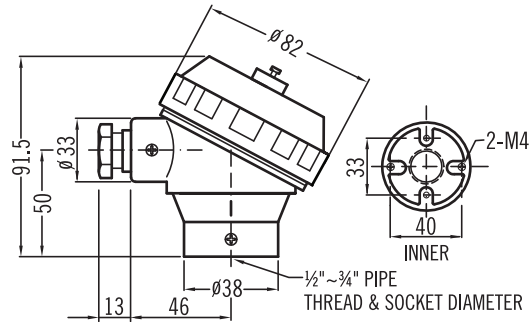
Head Type Technical Data



HN TYPE

HN Type

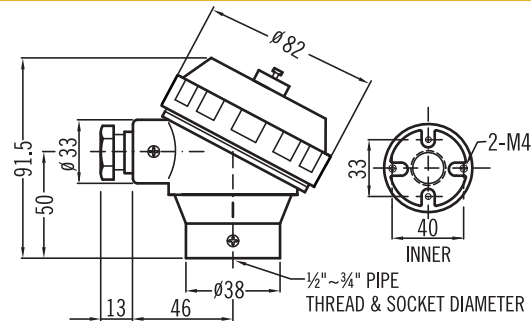
Protection: IP68
Material: Aluminum Alloy
Weight: 264g
Protection tube connection: 1/2", 3/4" (PF, NPT, BSP), M20X1.5
Extension wire connection: 1/2", 3/4" (PF, NPT, BSP), M20X1.5
 Other specifications are available on request.



LS TYPE

LS Type

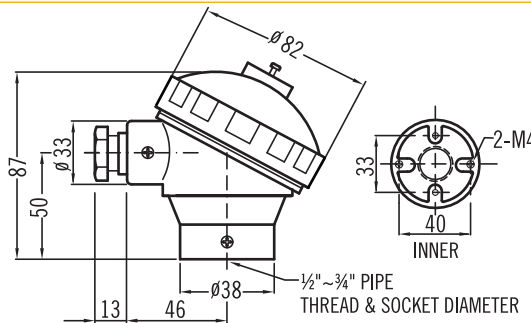
Protection: IP68
Material: SS316
Weight: 764g
Protection tube connection: 1/2", 3/4" (PF, NPT, BSP), M20X1.5
Extension wire connection: 1/2", 3/4" (PF, NPT, BSP), M20X1.5
 Other specifications are available on request.



HP TYPE

HP Type

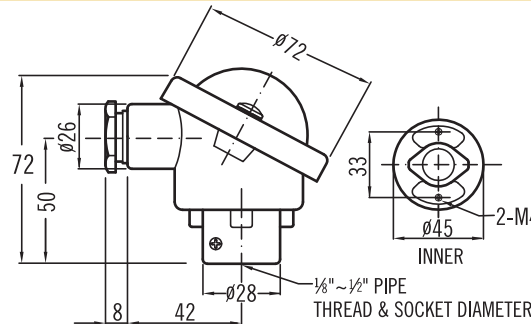
Protection: Weather Proof Type
Material: Polypropylene
Weight: 112g
Protection tube connection: 1/2" NPT, 1/2" BSP
Extension wire connection: 3/4" NPT, M20X1.5
 Other specifications are available on request.



HD TYPE

HD Type

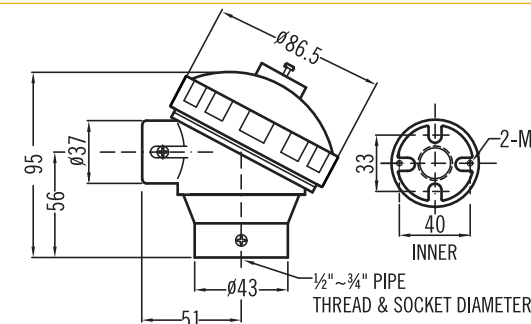
Protection: IP68
Material: Aluminum Alloy
Weight: 158g
Protection tube connection: 1/2" PF, 1/2" BSP
Extension wire connection: M22X1.5, PG16
 Other specifications are available on request.



HI TYPE

HI Type

Protection: IP67
Material: Cast Iron
Weight: 1600g
Protection tube connection: 1/2", 3/4" (PF, NPT, BSP), M20X1.5
Extension wire connection: 1/2", 3/4" (PF, NPT, BSP), M20X1.5
 Other specifications are available on request.

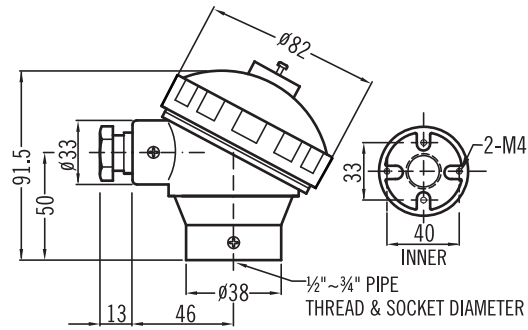




HB TYPE

HB Type

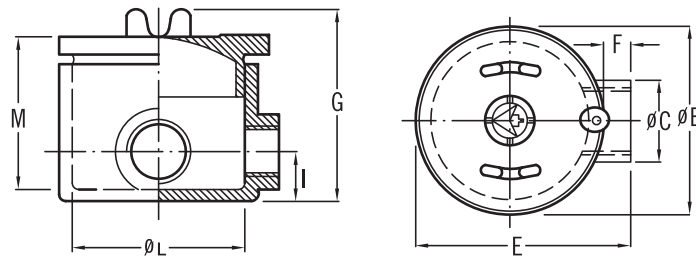
Protection: IP65
Material: Bakelite
Weight: 156g
Protection tube connection: ½"PF
Extension wire connection: ½"PF
 Other specifications are available on request.



MS-1 TYPE

MS-1 Type

Protection: IP66
Material: Aluminum Alloy
Extension wire connection: ½"NPT, ¾"NPT



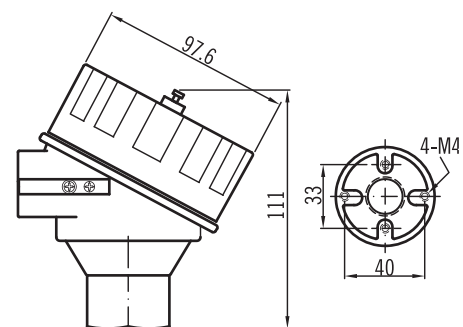
| Type | Dimensions | | | | | | | | Terminal Block (on request) | Weight Gr. |
|------|------------|----|-----|----|----|----|----|----|--------------------------------|---------------|
| | 0B | 0C | E | F | G | I | 0L | M | | |
| MS-1 | 100 | 38 | 110 | 13 | 80 | 24 | 88 | 68 | 4x4 mm ² | 650 |



XDS TYPE

XDS / XDA Type

Material: XDS-SS316; XDA-Aluminum alloy
Weight: XDS-1278 g; XDA-460 g
Protection tube connection: ½"PF, ¾"PF, ½"NPT, ¾"NPT, ½"BSP, ¾"BSP, G½", G¾", M20x1.5, M24x1.5, M25x1.5
Extension wire connection: M20x1.5, M25x1.5, ½"NPT, ¾"NPT
EC certificate no.: BSI 07 ATEX 1532458U
ATEX directive code: II 2 G D
Standard code: Ex d IIC T6, Ex tD A21
FM Approvals: XP/II/1/ABCD/T6; DIP/II,III/1/EFG/T6; Type 4X



XDA TYPE

Explosionproof for Class I, Division 1, Groups A,B,C and D; and dust-ignitionproof for Class II, III Division 1, Groups E,F and G, hazardous (classified) locations; indoor / outdoor (NEMA Type 4X).



S1 TYPE

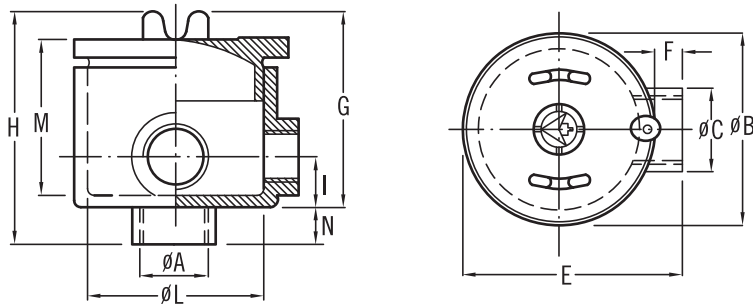


S2 TYPE

S1 & S2 Type

Protection: Explosion proof, EEx d IIC-T6, II 2 GD; IP66

Material: Aluminum Alloy



| Type | Dimensions | | | | | | | | | | | Terminal Block (on request) | Weight Gr. | |
|------|------------|----|----|-----|----|----|----|----|----|----|----|--------------------------------|---------------------|---------|
| | ØA | ØB | ØC | E | F | G | H | I | ØL | M | N | | | unit:mm |
| S1 | ½" | 70 | 31 | 79 | 9 | 72 | 85 | 20 | 55 | 52 | 13 | | 4x4 mm ² | 350 |
| S2 | ¾" | 90 | 38 | 100 | 10 | 78 | 92 | 24 | 76 | 69 | 14 | | 4x4 mm ² | 510 |



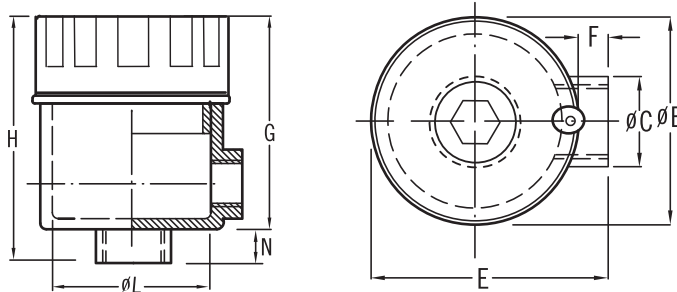
ES & EA TYPE

ES & EA Type

Protection: Explosion Proof Type

Material: ES: SS316, EA: Aluminum Alloy

Extension wire connection: ½", ¾" (PF, NPT, BSP)



| Type | Dimensions | | | | | | | | Weight Gr. | |
|-------|------------|----|------|----|----|------|----|----|------------|---------|
| | G | H | ØL | N | ØB | ØC | E | F | | unit:mm |
| ES/EA | 76 | 90 | 56.5 | 14 | 74 | 35.5 | 87 | 13 | | 1054g |



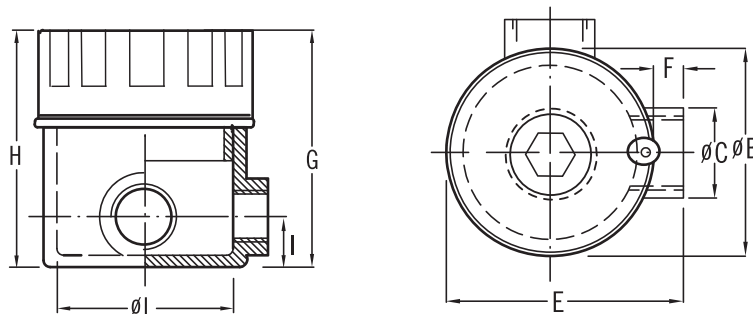
XS & XA TYPE

XS & XA Type

Protection: Explosion Proof Type


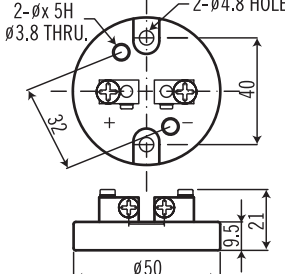

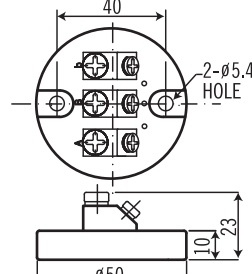
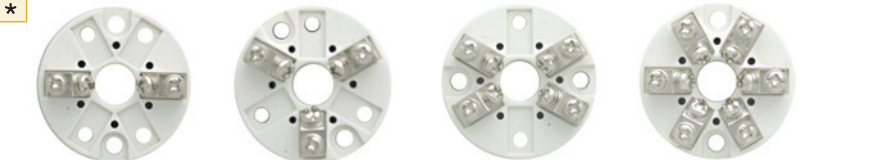
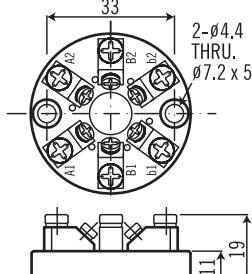

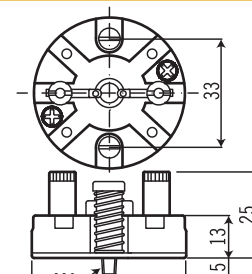
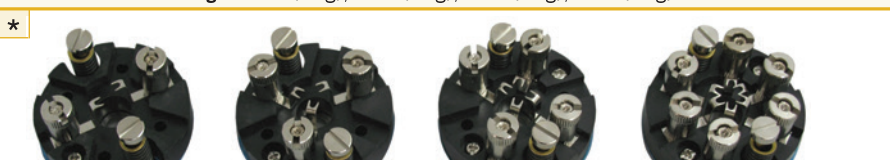
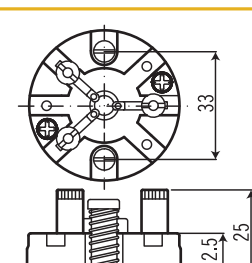

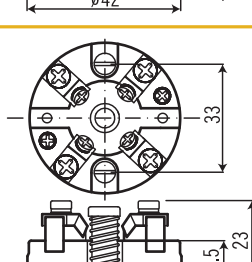
Material: XS: SS316, XA: Aluminum Alloy

Extension wire connection: ½", ¾" (PF, NPT, BSP)



| Type | Dimensions | | | | | | | | Weight Gr. | |
|-------|------------|----|----|------|----|------|----|----|------------|---------|
| | G | H | I | ØL | ØB | ØC | E | F | | unit:mm |
| XS/XA | 76 | 76 | 20 | 56.5 | 74 | 35.5 | 87 | 13 | | 1058g |

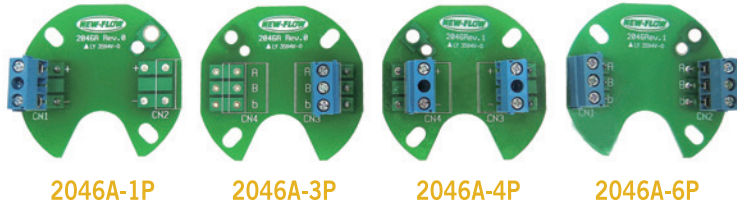
Terminal Type-Terminal blocks for connection heads

| | |
|---|---|
|  <p style="text-align: center;"> N-2P-A N-3P-A N-3P-A(Y) N-4P-A N-6P-A </p> |  |
| <p>Material: Ceramic Al₂O₃ 92% Temperature limited: 600°C Terminal block weight: 2P-A(72g); 3P-A(78g); 3P-A(Y)(72g); 4P-A(84g); 6P-A(94g)</p> | |
|  <p style="text-align: center;"> N-2P-B N-3P-B N-3P-B(Y) N-4P-B N-6P-B </p> |  |
| <p>Material: Bakelite Temperature limited: 180°C Terminal block weight: 2P-B(56g); 3P-B(68g); 3P-B(Y)(44g); 4P-B(84g); 6P-B(66g)</p> | |
| <p style="text-align: center;">*</p>  <p style="text-align: center;"> M-2P-C M-3P-C M-4P-C M-6P-C </p> |  |
| <p>Material: Ceramic Temperature limited: 600°C Terminal block weight: 2P-C(34g); 3P-C(38g); 4P-C(42g); 6P-C(54g)</p> | |
| <p style="text-align: center;">*</p>  <p style="text-align: center;"> D-2P-A D-3P-A D-4P-A D-6P-A </p> |  |
| <p>Material: Ceramic Al₂O₃ 92% Temperature limited: 600°C Terminal block weight: 2P-A(66g); 3P-A(72g); 4P-A(78g); 6P-A(88g)</p> | |
| <p style="text-align: center;">*</p>  <p style="text-align: center;"> D-2P-B D-3P-B D-4P-B D-6P-B </p> |  |
| <p>Material: Bakelite Temperature limited: 180°C Terminal block weight: 2P-B(48g); 3P-B(54g); 4P-B(60g); 6P-B(72g)</p> | |
| <p style="text-align: center;">*</p>  <p style="text-align: center;"> DS-2P-C DS-3P-C DS-4P-C DS-6P-C </p> |  |
| <p>Material: Ceramic Temperature limited: 600°C Terminal block weight: 2P-C(64g); 3P-C(70g); 4P-C(74g); 6P-C(84g)</p> | |

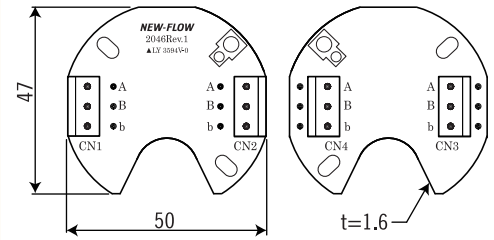
NOTE

* HD Type: Head Type
 HD only choose these terminal blocks of type D-2P-A/M-6P-C/D-3P-B/DS-4P-C.
 All type of terminal blocks are suitable for other head.

Terminal Type-Terminal blocks for connection heads



Material: PCB (FR4)
Temperature Limited: 120°C
Terminal block weight: 2046A-1P(65g); 2046A-3P(70g);
 2046A-4P(75g); 2046A-6P(20g)



Material: Ceramic Al₂O₃, 99%
Temperature Limited: 600°C
Terminal block weight: 2047-1P(65g); 2047-3P(70g);
 2047-4P(75g); 2047-6P(85g)

