

FLOW METER SIGHT GLASS GAUGE

FT SERIES – Thread Connection

The flow meter sight glass was designed with spring paddle to indicating flow rate for easy observation of flowing fluid from any direction.

Technical Data

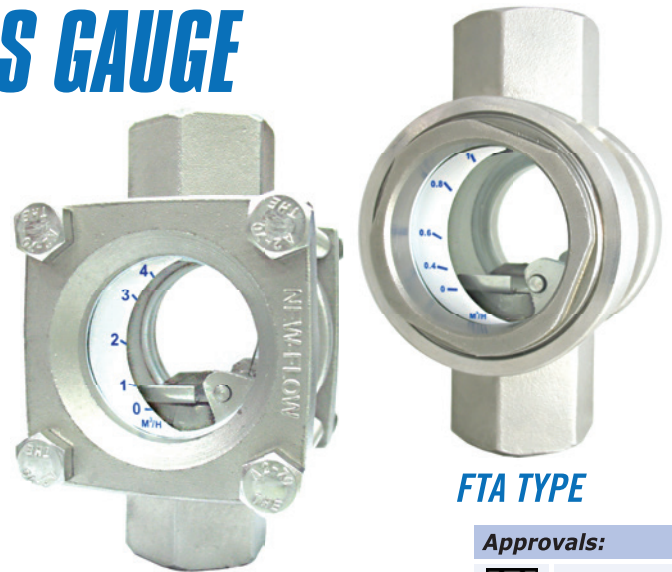
Service: – Compatible gas and liquid – Water treatment system
 – Industrial flow system – Double window indication

Material: Body– SS304, SS316, SS316L available;
 Paddle– SS316; Spring– SS316
 Gauge– Tempered glass; Gasket– Teflon or Gore Tex

Max. working temperature: 80°C

(*Min. working temperature for FTB Type is “ -20°C ”.)

Max. working pressure: FTA type– 10 kg/cm² at 25°C water
 FTB type– 15 kg/cm² at 25°C water



FTB TYPE

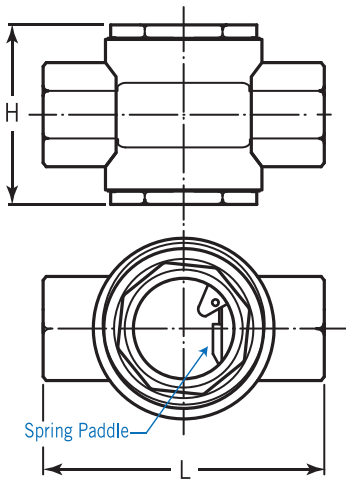
FTA TYPE

Approvals:

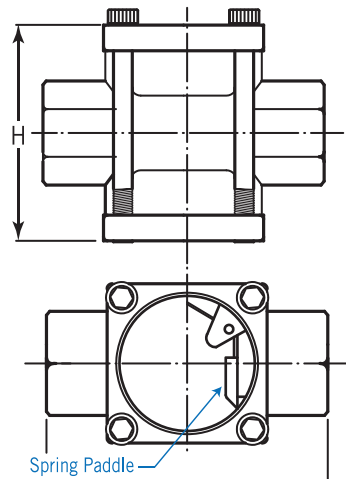


Dimensions

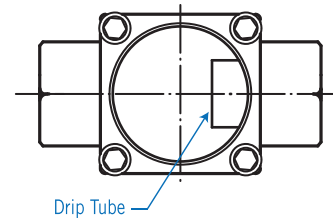
FTA Type (with paddle)



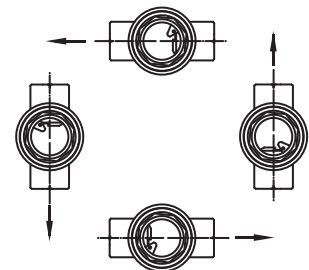
FTB Type (with paddle)



Drip Tube Type (without paddle)



Mounting Position



Size	15A	20A	25A	32A	40A	50A
L	114	114	114	130	130	150
H	72	72	72	120	120	136

Size	15A	20A	25A	32A	40A	50A
L	114	114	114	130	130	150
H	72	72	72	115	115	129

Ordering Information

FTA/FTB	Code	Type
	W	With Paddle
	N	Without Paddle (Drip Tube)– scale unavailable
	Code	Material
		(A) SS304 (B) SS316 (C) SS316L
	Code	Size
		(1) 15A (2) 20A (3) 25A (4) 32A (5) 40A (6) 50A
	Code	Connection Thread
		(1) NPT (2) PF (3) option
	Code	Flow Range
	A~I	Please refer to the Flow Range Table, and fill out the item code of requested range directly.
	N	No need flow range scale
	Code	CE 1128 Mark Request
		(1) With label sticker (3) Stamp
		(2) With S.S nameplate (4) Without
FTA/FTB		Complete Ordering Code

Flow Range Table

Item Code	Flow Range	Connection Size
A	0~1.5 M ³ /H	½"(15A), ¾"(20A), 1"(25A) available
B	0~3 M ³ /H	½"(15A), ¾"(20A), 1"(25A) available
C	0~4 M ³ /H	½"(15A), ¾"(20A), 1"(25A) available
D	0~8 M ³ /H	1¼"(32A), 1½"(40A), 2"(50A) available
E	0~10 M ³ /H	1¼"(32A), 1½"(40A), 2"(50A) available
F	0~12 M ³ /H	1¼"(32A), 1½"(40A), 2"(50A) available
G	0~16 M ³ /H	1¼"(32A), 1½"(40A), 2"(50A) available
H	0~18 M ³ /H	2"(50A)
I	0~24 M ³ /H	2"(50A)

Ordering code example:

- FTA-W-B-1-1-A
- FTA = Model
- W = with paddle
- B = SS316
- 1 = 15A (½")
- 1 = NPT
- A = 0~1.5 M³/H