

# MINI SIZE LEVEL GAUGE

## MLG SERIES

### Technical Data

**Application:** for Oil tank, mini size tank

**Material:** Stainless steel 316

**Connection type:** NPT, BSP (PF) available

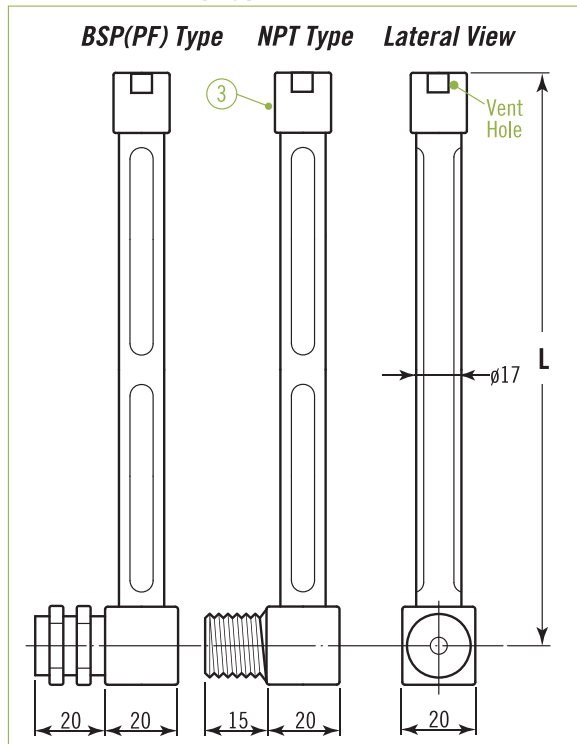
**Connection size:** 1/4", 3/8", 1/2" available

**Gauge length:** 80, 100, 125, 150, 200, 250, 300, 350mm; and option available

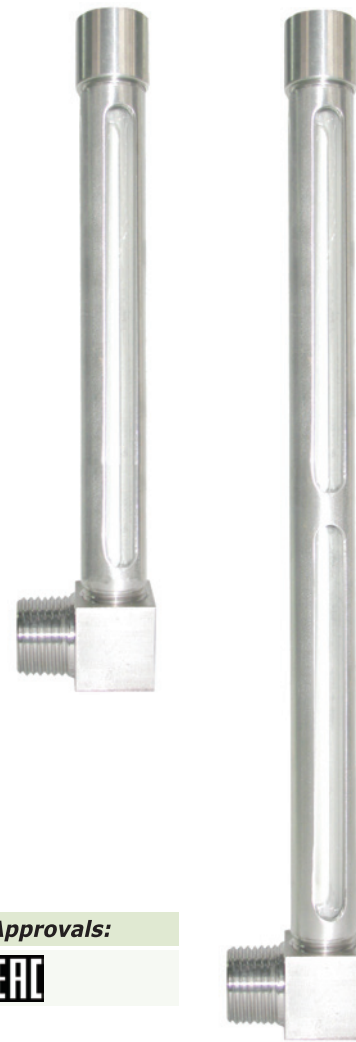
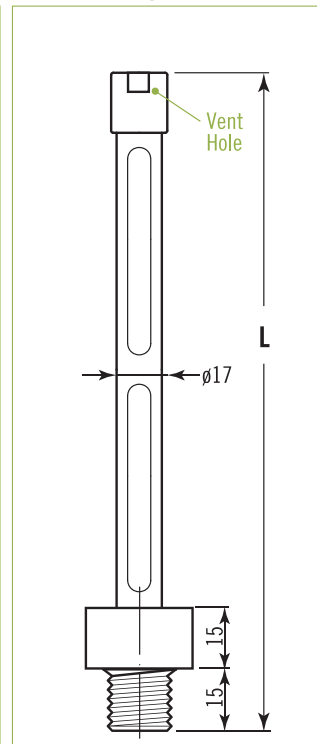
**Mounting Type:** Wall mounting or mounting in the cover available

### Dimensions

#### (A) Wall Mounting Type



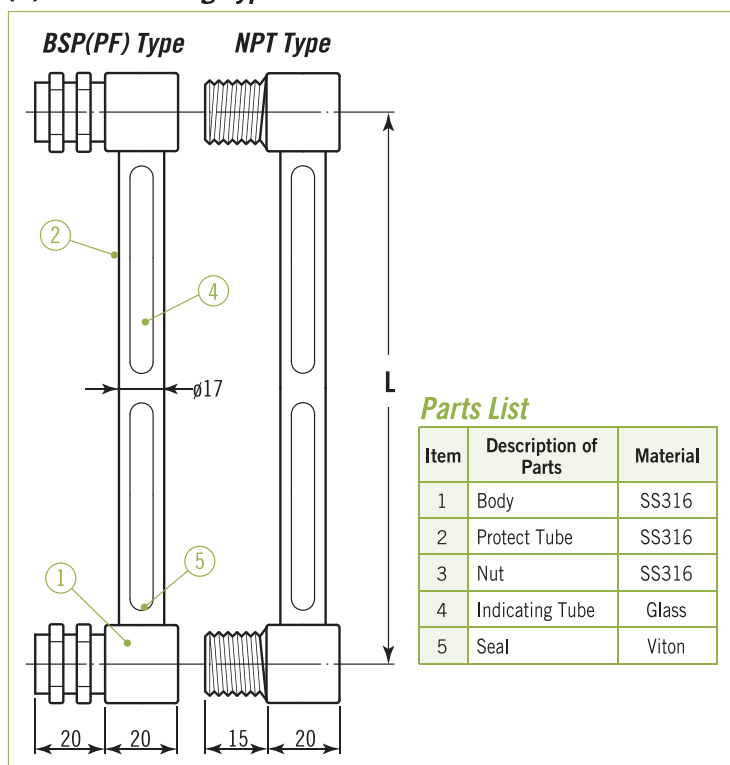
#### (B) Mounting in the Cover



Approvals:



#### (C) Wall Mounting Type: Both side connection



### Ordering Information

MLG	Code	Process Connection Size
		(A) 1/4" BSP (B) 1/4" NPT (C) 3/8" BSP (D) 3/8" NPT
		(E) 1/2" BSP (F) 1/2" NPT (G) option
	Code	Material
		(3) SS316 (4) option
	Code	Gauge Length (L)
		(A) 80 mm (B) 100 mm
		(C) 125 mm (D) 150 mm
		(E) 200 mm (F) 250 mm
		(G) 300 mm (H) 350 mm
		(O) Option
	Code	Mounting Type
	A	Wall mounting
	B	Mounting in the cover
	C	Wall mounting: Both side connection
MLG		Complete Ordering Code