

HANTS® FIRE PROTECTION

UL NRS GATE VALVE

HGN-200FF



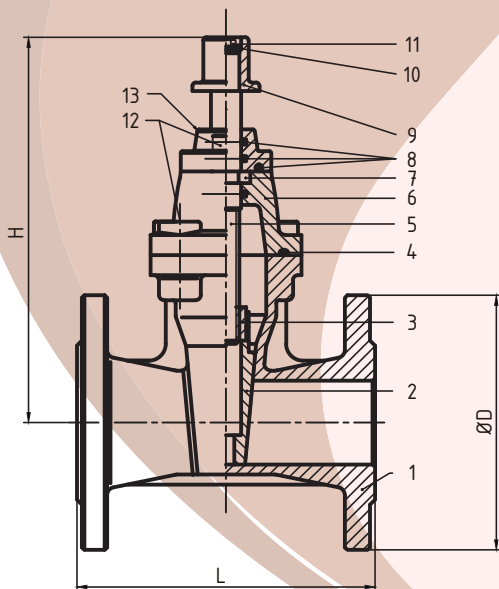
HGN-200FF

Valve Standard:
Conforms to AWWA C515

Working pressure:
200PSI / 300PSI

Flanged Ends:
ANSI B16.1 Class125/150/250
EN1092-2 PN10/PN16/PN25

Size: 2 1/2"(DN65) to 12"(DN300)



No.	Parts Name	Material
1	Body	Ductile Iron
2	Disc	Ductile Iron+EPDM
3	Nut	Cast Bronze
4	Gasket	NBR
5	Stem	Stainless Steel
6	Cap	Ductile Iron
7	Retainer Ring	Cast Bronze
8	O-ring	NBR
9	Scotch	Ductile Iron
10	Minipad	ASTM A307B
11	Bolt	Steel
12	Countersunk Head Bolt	Steel
13	Platen	Ductile Iron

Size(mm)	2 1/2"	3"	4"	5"	6"	8"	10"	12"
DN	65	80	100	125	150	200	250	300
L	190	203	229	254	267	292	330	356
D	178	191	229	254	279	343	406	483
H	292	322	342	412	448	534	635	720