



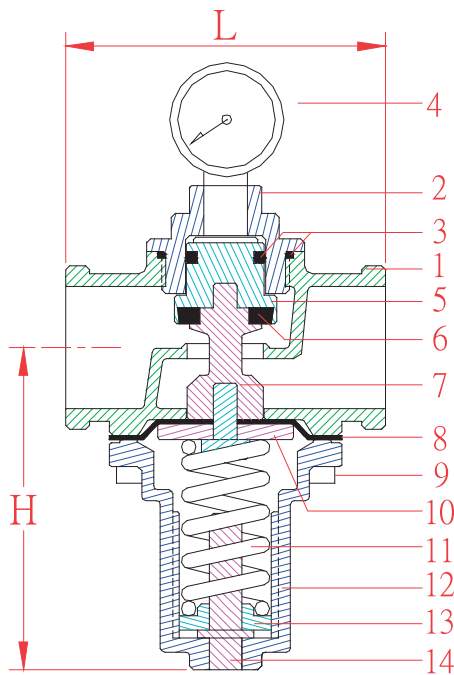
DIRECT-ACTIVATED PRESSURE REDUCING VALVE

- ▶ The gate is designed for opening status, which will not influence the water supply function under unstable inlet pressure condition.
- ▶ When the outlet pressure responds directly to the pressure control chamber and adjusts the setting pressure, it responds quickly and adjusts the pressure accurately.



▶ Pressure Adjusting Range : 1~5 kgf/cm²
4~9 kgf/cm²
(special order is needed for other range)

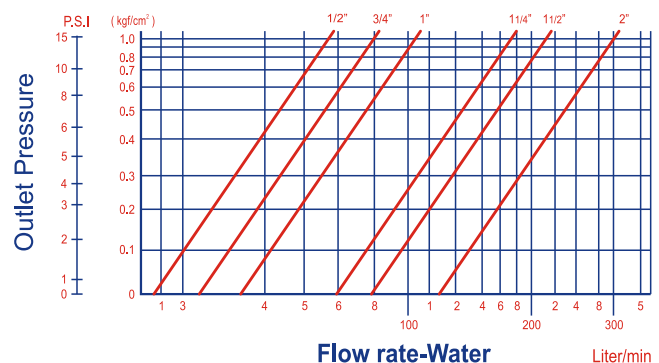
- ▶ Valve Body Testing Pressure : 24 kgf/cm²
- ▶ Maximum Applied Pressure : 16 kgf/cm²
- ▶ Pressure needed from fully-closed gate to fully-opened gate : 1 kgf/cm² (1 kgf/cm²=14.2 psi)
- ▶ Applied Temperature : -15~80°C
- ▶ Applied Condition : Fluid & Air



No	Part Name	Material	
1	Body	Bronze	Stainless Steel
2	Upper Cover	Bronze	Stainless Steel
3	O-ring	NBR	NBR
4	Gauge	Iron	Stainless Steel
5	Piston	Brass	Stainless Steel
6	Sealing	NBR	NBR
7	Shaft	Brass	Stainless Steel
8	Diaphragm	NBR	
9	Fixed Bolt	Stainless Steel	
10	Diaphragm Washer	Electroplated Iron	
11	Spring	Spring Steel	
12	Spring Cover	Polyamide 66	
13	Spring Washer	Electroplated Iron	
14	Adjusting Bolt	Brass	

Item No	Size	H(mm)	L(mm)	Weight(kg)	CV
RDT-15	1/2"	70	60	0.4	2
RDT-20	3/4"	70	70	0.5	6
RDT-25	1"	80	80	0.8	8
RDT-32	1.25"	85	90	1.5	16
RDT-40	1.5"	110	110	2.5	18
RDT-50	2"	115	115	3	21

Flow Chart of Direct-activated Pressure Reducing Valve



$$CV = \frac{Q}{\sqrt{\Delta P/S}}$$

Q=GPM (gallon/min)

$\Delta P = P_1 - P_2$ (p.s.i)

P1=Inlet absolute pressure

P2=Outlet absolute pressure

S=Fluid Density (Water=1)

1 gallon=3.785 liter