

VACUUM SWITCH NEMA 4, 4X, IP66

PS1000W

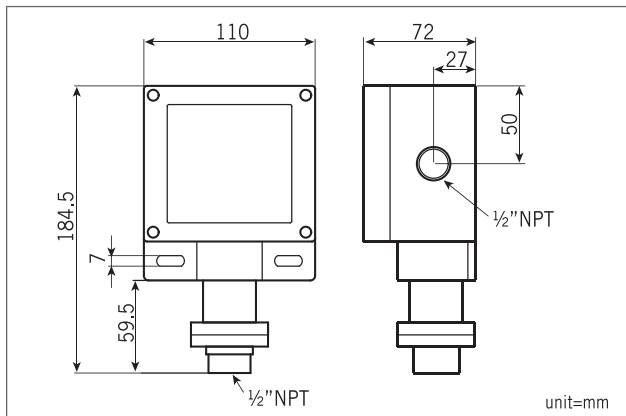
Proof Pressure to 1000psi
Adjustable Range: -25 ~ -760 mmHg
Temperature: -5°C ~ +150°C

The New-Flow PS1000W, a water proof vacuum switch, is designed to be used in control systems. PS1000W has high set point repeatability and narrow dead band features. Easily adjusted to the set point, and no special tools needed!

Technical data

- Switch Data:** one SPDT & two SPDT Microswitch, 15amps 125/250VAC, DC 125V 0.4A, DC 30V 3A / Gold Contact Microswitch 1A 125/250VAC
- Housing:** die cast aluminum alloy with paint
- Conduit Connection:** Female 3/4", 1/2" NPT, M20 x P1.5 available
- Pressure Element:** Diaphragm
- Process Material:** Wetted parts- SS316; O-ring- Viton
- Process Connection:** Female 1/2" or 1/4" NPT, BSP, PT; and M20 x P1.5 thread available
- Repeatability:** ±1% of full scale

Dimensions



Patent No.

M295332
 M334932
 China: 920135

Approvals:



WWW.NEW-FLOW.COM • TEL: 886-7-8135500 • FAX: 886-7-8225588 • Email: info@new-flow.com

Range Table

Code	Adjustable Range	Dead Band	Maximum Pressure Proof
1R	-25 ~ -760 mmHg	10~20 mmHg	1000 psi

Ordering Information

PS1000W	Code	Range								
	1R	-25 ~ -760 mmHg								
	Code	Wetted Parts Material								
	A	SS316								
	Code	Process Connection								
	(1) 1/2" NPT (2) 1/4" NPT (3) 1/2" BSP (4) 1/4" BSP (5) 1/2" PT (6) 1/4" PT (7) M20 x P1.5									
	Code	Conduit Connection								
	(E) 3/4" NPT Female (F) 1/2" NPT Female, standard (G) M20 x P1.5 Female									
	Code	Switch Form								
	1	Micro Switch, 1 SPDT								
2	Micro Switch, 2 SPDT (one setting point)									
3a	Gold Contact, 1 SPDT									
3b	Gold Contact, 2 SPDT (one setting point)									
PS1000W										Complete Ordering Code