

# METAL TUBE MINI FLOW METER MF100E

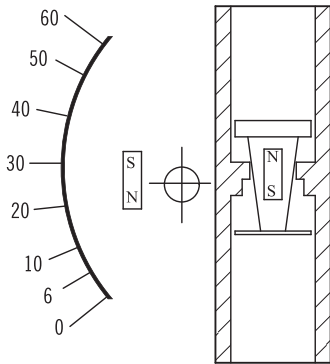
## Technical Data

**MF100E for mini low flow of gas, and liquid**  
**Material:** 316 stainless steel for case and body.  
**Indication:** via magnetic coupling (no seals)  
**Flow rate:** air- 8~150 NL/H  
                   water- 0.1~2.5 L/H  
**Working Temperature:**  
 Combine without electronic parts: -40°C~+180°C  
**Working Pressure:** Standard 100 kg/cm<sup>2</sup>;  
 other options upon request  
**Connection size:** 1/4" NPT or BSP available  
**Protection Class:** IP66  
**Accuracy:** ± 5% FS

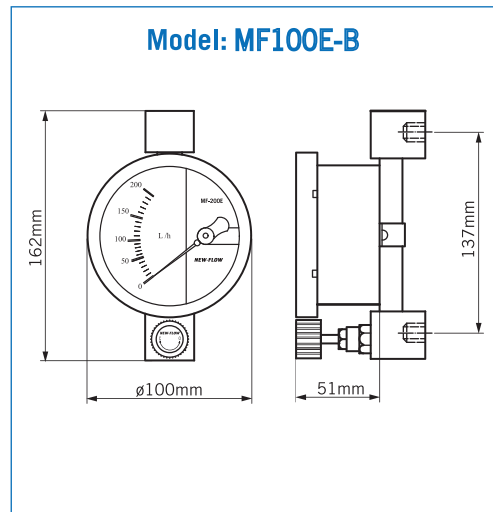
Approvals:



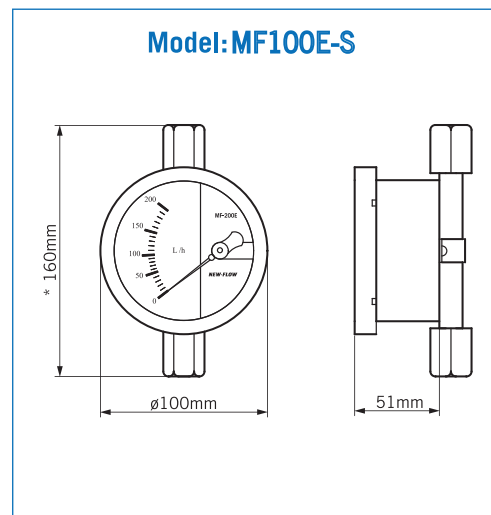
## Principle



## Dimensions



**MF100E-B**  
 Basic Model:  
 Rear connection + needle valve



**MF100E-S**  
 Basic Model:  
 Thread connection

## Standard Scales

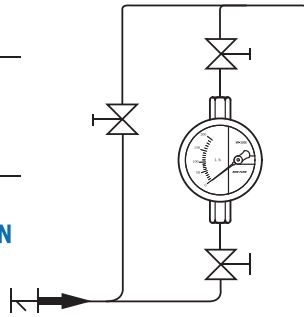
Tube	NL/H Air 0°C 1.013bar	L/H Water 20°C	Accuracy
MF1001	8~40 NL/H	0.1~0.5 L/H	±5% F.S
MF1002	10~70 NL/H	0.3~1.5 L/H	±5% F.S
MF1003	15~90 NL/H	0.4~2.0 L/H	±5% F.S
MF1004	15~150 NL/H	0.5~2.5 L/H	±5% F.S

### NOTE.

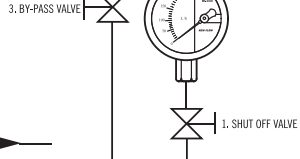
Performance Technical Data are effective with date of issue and are subject to change without prior notice.

## Installation

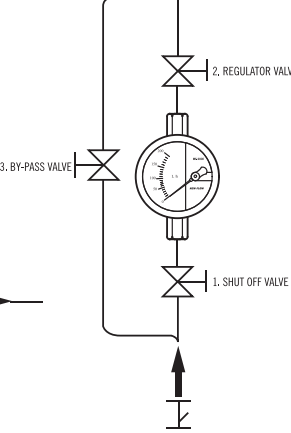
REAR FLOW DIRECTION



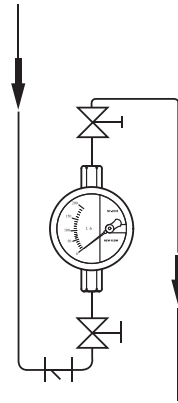
HORIZONTAL FLOW DIRECTION



UP FLOW DIRECTION



FALLING FLOW DIRECTION



**SPECIAL NOTE**

No minimum length requirement for straight pipe.

## Ordering Information

MF100E	Code	Connection	Code	Connection size
	S	Thread connection	4B	1/4" BSP (Female)
	B	Rear connection with needle valve	4N	1/4" NPT (Female)
	<b>Code</b> <b>Type</b>		<b>Code</b> <b>Protection Class</b>	
	G	Indicating only	IP	IP66
	<b>Code</b> <b>Alarm</b>		<b>Code</b> <b>Fluid</b>	
	0	Without alarm switch	G	Gas
	<b>Code</b> <b>Body material</b>		L	Liquid
	A	SS316	<b>Code</b> <b>Range</b>	
	<b>Code</b> <b>Float &amp; Wetted part material</b>		S	Standard range
	A	SS316	Please directly fill out the flow range in the order code.	
	<b>Code</b> <b>Connection rating</b>			
	0	Thread connection		
<b>MF100E</b>	<input type="text"/>	<input type="text"/>	<input type="text"/>	<input type="text"/>

**NOTE:**  
1. Custom-made flow range and flange size upon request.  
2. Please fill in the ordering information and service condition, and fax this sheet along with your inquiry to 886-7-8225588.

**Special instruction, if any:**  
\_\_\_\_\_  
\_\_\_\_\_  
\_\_\_\_\_

**Service Condition:**  
Fluid name: \_\_\_\_\_  
Sp. Gr. (density): \_\_\_\_\_  
Viscosity: \_\_\_\_\_  
Press.: \_\_\_\_\_  
Temp.: \_\_\_\_\_  
Full scale: \_\_\_\_\_