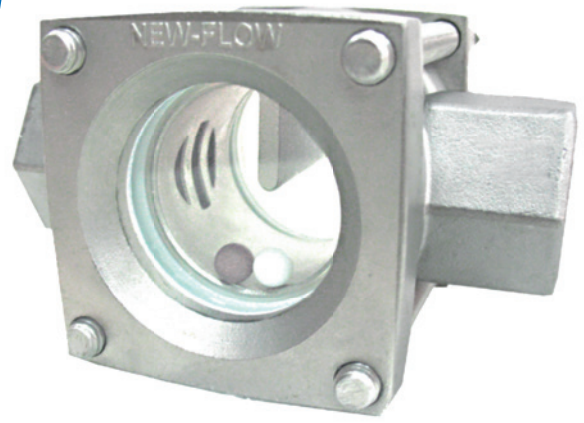


FLOW SIGHT GLASS GAUGE

TB SERIES - C *Indicating With Color Ball*



Technical Data

- Service:**
- Compatible gas and liquid
 - Water treatment system
 - Industrial flow system
 - Double window indication

Material: Body-SS316; Color Ball: Teflon
Gauge-Tempered glass; Gasket-Teflon

Max working temperature: 150°C (Teflon)

Max working pressure: 15 kg/cm² at 25°C water

Approvals:



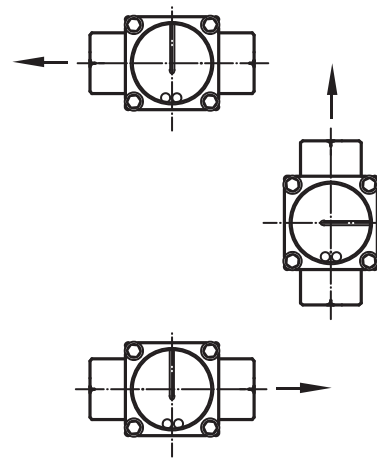
Dimension

TB-C Type

Range Size	15A	20A
L	114	114
H	72	72

unit=mm

Mounting Position



Ordering Information

TB-C	Code	Model
	S	Wetted parts are SS316
		Code Size
		(1) 15A (2) 20A
		Code Connection Thread
		(1) NPT (2) PF (3) Option
		Code Gasket Material
		(1) Teflon

TB-C					Complete Ordering Code
------	--	--	--	--	-------------------------------