

# HANTS® FIRE PROTECTION

**UL Swing-Check-Valve**

**HCV-300FF**



## HCV-300FF

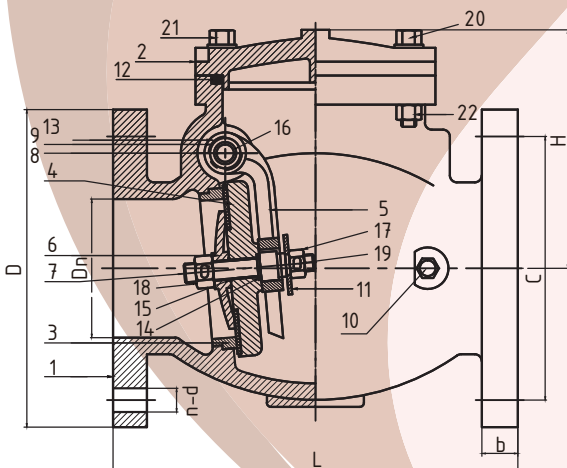


**Valve Standard:**  
Conforms to AWWA C515

**Working pressure:**  
300PSI

**Flanged Ends:**  
ANSI B16.1 Class125/150/250  
EN1092-2 PN10/PN16/PN25

**Size:** 2 1/2"(DN50) to 12"(DN300)



No.	Parts Name	Material
1	Body	Ductile Iron
2	Bonnet	Ductile Iron
3	Seat Ring	Aluminum Bronze
4	Disc	Ductile Iron
5	Rocker Arm	Ductile Iron
6	Baffle Plate	Aluminum Bronze
7	Middle Stem	SS304
8	Pinned Stem	SS304
9	Bracket Screw	SS304
10	Plug	Aluminum Bronze
11	Gasket	SS304
12	O-Ring(Large)	EPDM
13	O-Ring(Bracket Screw)	EPDM
14	O-Ring(Mid Stem)	EPDM
15	O-Ring(Mid Stem)	EPDM
16	Bronze Bushing	Powder Metallurgy
17	Hexagon Nut	SS304
18	Hexagon Nut	SS304
19	Cotter Pin	SS304
20	Hexagon Nut	ASTM A194 2H
21	Hexagon Nut	ASTM A194 2H
22	Hexagon Nut	ASTM A194 2H

Size(mm)	2	2.5"	3"	4"	5"	6"	8"	10"	12"
DN	50	65	80	100	125	150	200	250	300
L	203	216	241	292	330	356	495	622	698
D	152	178	191	229	254	279	343	406	483
c	120.5	139.5	152.5	190.5	216	241.5	298.5	362	432
n-d	4-ø19	4-ø19	4-ø19	8-ø19	8-ø22	8-ø22	8-ø22	12-ø25	12-ø25
H	142	148	163.5	172	237	233	301	348	419