


DISPLACER LEVEL INDICATOR

EDW900 – Weather Proof Type

EDX900 – Explosion Proof Type

The NEW-FLOW Displacer Level Indicator are made to fit wide range applications such as pump control, waste water level and deep open tank. They are designed for high corrosive resistance and long service life. 900-Series are switch setting available and provide output signals 4~20mA.

Technical Data

- Case Material:** Aluminum alloy case with paint; SS316 available
- Body & Wetted Parts Material:** SS316/SS316L, Indication via magnetic coupling (no sealed)
- Scales Calibrated:** in % or height
- Range of Measurement:** 300mm to 5M available; option on request
- Connection Types:** Flange type, Trip Clamp & Sanitary; Thread type (others on request)
- Connection Size:** 1½"~5"
- Process Connection Rating:** Thread type: NPT, BSP; Flange type: ANSI, DIN, JIS available
- Max. Working Temperature:** -50°C to +150°C (300°C option)
- Max. Working Pressure:** up to 100Bar; option on request
- Protection Class:** IP66 or Explosion Proof, Class I, Groups B, C & D; Class II, Groups E, F & G; NEMA 4, 7, 9
- Accuracy:** ±2% F.S (±1.6% F.S option)
- Conduit Connection:** Female ½"NPT, ½"BSP, ¾"NPT, ¾"BSP; option on request
- Alarm Switch:** Micro switch, Inductive switch, Reed switch available
- LCD Display:**
 - Totalizer 10 Digital (Top) / Flow rate 8 Digital (Bottom)
 - Analog Output Available: 4~20mA (2-wires)
 - Power Supply: 24VDC
- *HART® Communication: available
- Two Wires Transmitter with HART® Protocol** 
 - Galvanic Isolation
 - Suitable for application in SIL2 installations

Approvals:



Housing Type

IP66
Case Type: (A-1) Rectangle Bolt Right Type
Housing Material: Aluminum alloy case with paint

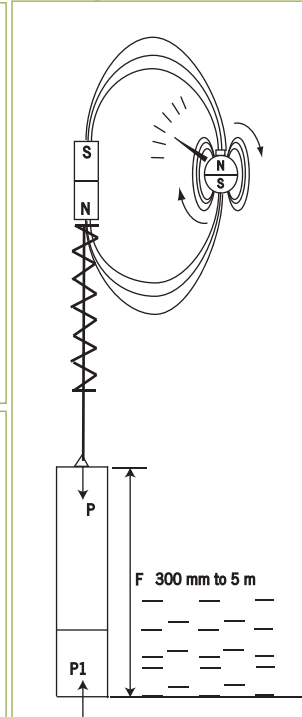
IP66
Case Type: (B-1) Round Bayonet Ring Type (only for indicating)
Housing Material: SS316

IP66
Case Type: (A-2) Round Screw Tight Type
Housing Material: Aluminum alloy
Case Type: (B-2) Round Screw Tight Type
Housing Material: SS316

Explosion Proof
Housing Material: Aluminum alloy
Protection Class: Class I, Groups B, C & D; Class II, Groups E, F & G; NEMA 4, 7, 9

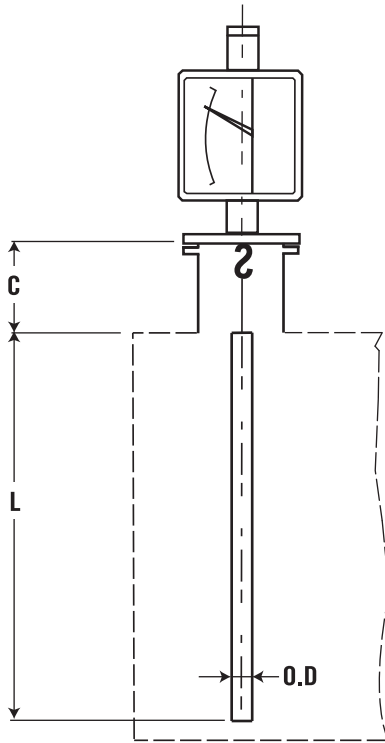
Mounting Length: 250mm standard
 Connection size bigger than 3", mounting length is 300mm.

Principle

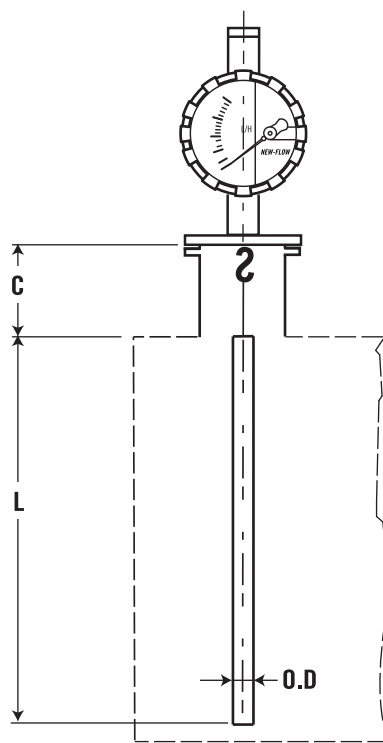


Dimension-mm

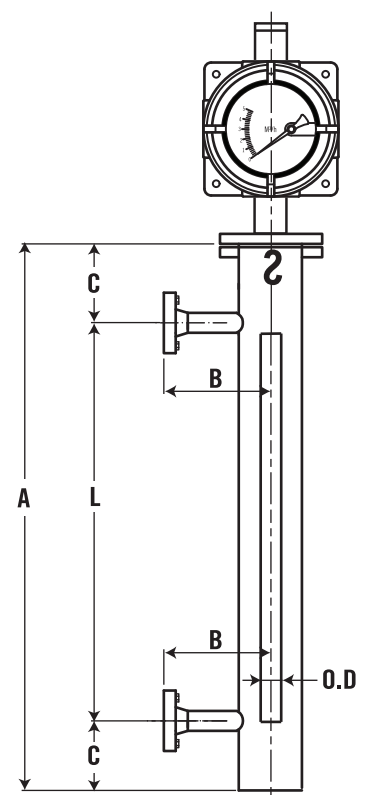
Rectangle Bolt Tight Housing



Round Screw Tight Housing



Explosion Proof Housing



Installation Type

(1) Direct Insertion Type

(2) Well Protection Type

(3) With Chamber Type (Side Mounting)

