

Approvals:



TD0400TJ
工電(2012)第00320號
(TRI)2017第07-00075號



Switches with UL & CSA Recognized and File No. E12252.

JAPAN EX-Certificate
CML 17JPN1016X
CML 17JPN3024



Patent No.

M295332
M334932
China: 920135

PRESSURE SWITCH EXPLOSION PROOF TYPE PSA2000X

Explosion Proof Type / Protection: IP68

Proof Pressure to 3000psi

Adjustable Ranges: 10~1300psi / Dead Band: Adjustable

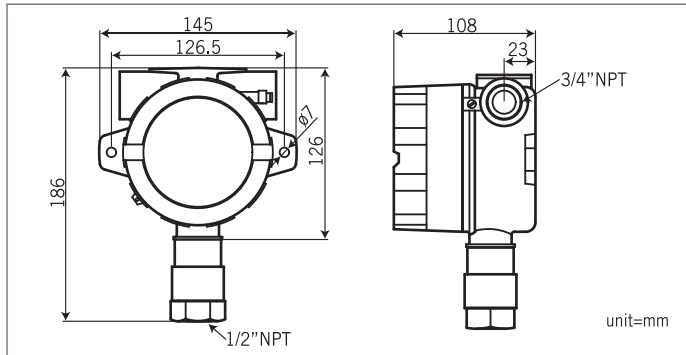
Temperature: -30 to 205°C

The New-Flow PSA2000X, an explosion proof pressure switch, is designed to be used in control systems. PSA2000X has high set point repeatability and adjustable dead band features. There are a variety of range selections available upon request. Easily adjusted to the set point, no special tools needed!

Technical Data

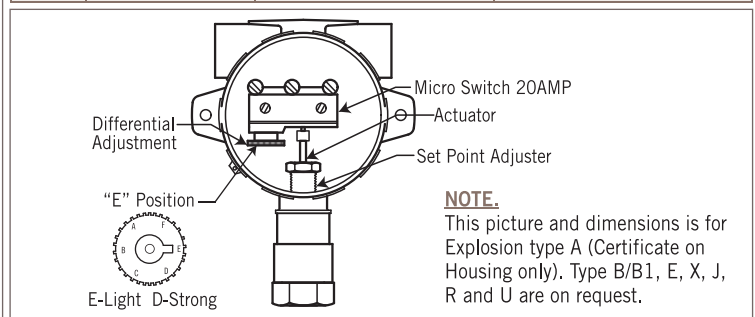
- Switch Data:** 20Amp @125, 250 or 480VAC; 5Amp, DC125V
- Housing:** die cast aluminum alloy with paint, and SS316 available
- Conduit Connection:** Female 3/4", 1/2"NPT, and M20 x P1.5 available
- Pressure Element:** welded type diaphragm
- Process Material:** wetted parts are all in SS316
- Process Connection:** Female 1/2" or 1/4" NPT, BSP, PT; and M20xP1.5 thread available

Dimensions



Range Selection Table

Code	Pressure Range	Adjustable Dead Band at "E" Position	Maximum Pressure Proof
10R	10~100 psi	10~25	3000 psi
20R	35~200 psi	12~30	3000 psi
30R	50~300 psi	28~50	3000 psi
60R	100~600 psi	28~60	3000 psi
130R	200~1300 psi	42~100	3000 psi



Ordering Information

PSA2000X	Code	Range							
	10R	10~100 psi	20R	35~200 psi	30R	50~300 psi	60R	100~600 psi	
	130R	200~1300 psi							
	Code	Wetted Parts Material							
	A	SS316							
	Code	Process Connection- Female							
		(1) 1/2"NPT (2) 1/4"NPT (3) 1/2"BSP (4) 1/4"BSP (5) 1/2"PT (6) 1/4"PT (7) M20 x P1.5							
	Code	Conduit Connection							
		(E) 3/4"NPT Female (F) 1/2"NPT Female, standard (G) M20 x P1.5 Female							
	Code	Switch Form							
	1	One SPDT							
	Code	Explosion Proof Type / Housing Material							
	A	Certificate on Housing Only (FM Approval) / Aluminum alloy: Class I, Groups A, B, C & D; Class II, Groups E, F & G; Class III; NEMA 4X							
	B / B1	Taiwan Explosion Proof Certification / (B) Aluminum alloy (B1) SS316: Ex d IIB + H2 T6 Gb							
	E	International IECEx Certification / Aluminum alloy: Ex db IIB + H2 T6 Gb; Ex tb IIIC T85°C Db							
	X	Europe Union ATEX Certification / Aluminum alloy: II 2 G D Ex db IIB + H2 T6 Gb; II 2 G D Ex tb IIIC T85°C Db							
	J	Japan Explosion Proof Certification / Aluminum alloy: Ex d IIB + H2 T6 Gb; Ex t IIIC T85°C Db							
	R	Russia EACEx Certification / Aluminum alloy: 1Ex d IIB + H2 T6 Gb X; Ex tb IIIC T85°C Db							
	U	UL Certification / Aluminum alloy: Class I, Groups A, B, C & D; Class II, Groups E, F & G							
PSA2000X									Complete Ordering Code