

# DIFFERENTIAL PRESSURE SWITCH EXPLOSION PROOF TYPE

## DPS2300X

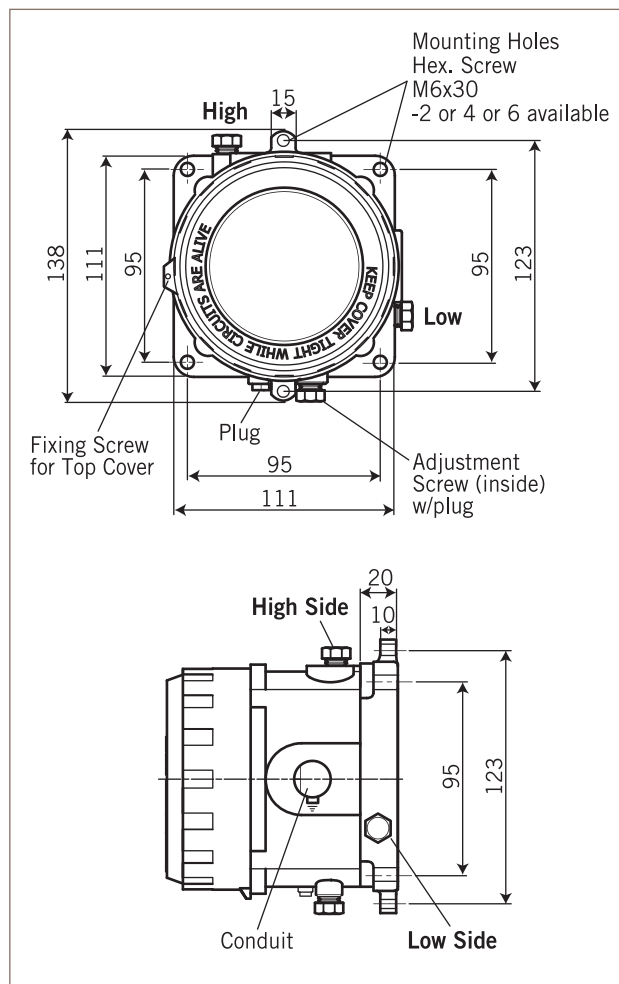
**Explosion Proof Type**  
**Protection: IP68**  
**Adjustable Ranges: 0.1~11" W.C.**  
**Temperature: -40 to 60°C**

The New-Flow DPS2300X, an explosion proof differential pressure switch, is designed to be used in instrument air and non-corrosive, inert gases. DPS2300X has high set point repeatability and narrow dead band features. A variety of range selections are available upon request. Easily adjusted to the set point.

### Technical Data

**Switch Data:** SPDT 15A @125, 250, 480VAC, 60Hz. Resistive 1/8 HP @125VAC; 1/4 HP @250VAC, 60Hz  
**Housing Material:** Die cast aluminum alloy with positive electrode  
**Pressure Element:** Silica gel diaphragm  
**Process Materials:** Wetted parts are all in SS316  
**Set Point Adjustment:** Screw type on top of housing c/w plug  
**Mounting Type:** Diaphragm in vertical position  
**Conduit Connection:** 1/2" and 3/4" NPT Female available  
**Process Connection:** High & Low side 1/4" NPT Female, and 1/4" PT or G1/4" thread available  
**Pressure Limit:** Surge 0.7 Bar  
**Temperature Limit:** -40~140°F (-40~60°C)  
**Weight:** approx. 1.9 Kg

### Dimensions-mm



### Approvals:



Switches with UL & CSA Recognized and File No. E12252.

### Range Selection Table

Inch of Water ( "W.C. ):

Code	Adjustable Range	Dead Band	Continuous/Surge
01W	0.1~0.25" W.C	0.04 / 0.07" W.C	0.12 Bar / 0.7 Bar
02W	0.15~1.8" W.C	0.1 / 0.2" W.C	0.12 Bar / 0.7 Bar
03W	0.4~2.5" W.C	0.15 / 0.3" W.C	0.12 Bar / 0.7 Bar
04W	0.8~4" W.C	0.2 / 0.4" W.C	0.12 Bar / 0.7 Bar
05W	3~11" W.C	0.4 / 0.5" W.C	0.12 Bar / 0.7 Bar

### Ordering Information

DPS2300X	Code	Range	Code	Wetted Parts Material	Code	Process Connection (High & Low Side)	Code	Conduit Connection	Code	Switch Form																						
	01W	0.1~0.25" W.C.	A	SS316	1	1/4" NPT Female	E	1/2" NPT Female, standard	1	One SPDT																						
	02W	0.15~1.8" W.C.			2	1/4" PT Female	F	3/4" NPT Female																								
	03W	0.4~2.5" W.C.			3	G1/4" Female	O	Option																								
	04W	0.8~4" W.C.			O	Option																										
	05W	3~11" W.C.																														
<table border="1" style="width:100%; border-collapse: collapse;"> <tr> <td style="width:10%;">DPS2300X</td> <td style="width:10%;"></td> <td style="width:10%;"></td> <td style="width:10%;"></td> <td style="width:10%;"></td> <td style="width:10%;"></td> <td style="width:10%;"></td> <td style="width:10%;"></td> <td style="width:10%;"></td> <td style="width:10%;"></td> <td style="width:10%;"></td> </tr> <tr> <td colspan="10"></td> <td>Complete Ordering Code</td> </tr> </table>											DPS2300X																					Complete Ordering Code
DPS2300X																																
										Complete Ordering Code																						