

# TUNING FORK VIBRATING LEVEL SWITCH

## VLS5500

**Housing: IP65**

**Explosion Proof:**

**Class I, Groups B, C, D;**

**Class II, Groups E, F, G; NEMA 4X**

VLS5500 Series are assembled with a tuning fork and energized sensor. It vibrates frequently with mechanical resonance to detect level of powders or granular bulk solids.

### Technical Data

**Using in powder or solids**

**Wetted part material:** 316 stainless steel

**Thread connection:** 2" NPT, 2" BSP

**Flange connection:** from 2" to 3", JIS, ANSI, DIN available

**Detection length:**

	Minimum	Maximum
Thread	200mm	450mm
Flange	245mm	450mm

**Working temperature:** -30°C~+80°C

**Working pressure:** maximum 100 kg/cm<sup>2</sup>, up to 400 kg/cm<sup>2</sup> on request

**Liquid viscosity:** 0.2~10000 mpas

**Liquid density:** 0.6 g/cm<sup>3</sup>~2.5 g/cm<sup>3</sup>

**Housing:** IP65

**Explosion Proof:** Class I, Groups B, C, D; Class II, Groups E, F, G; NEMA 4X

**Power Supply:** 110VAC, 220VAC, 24VDC

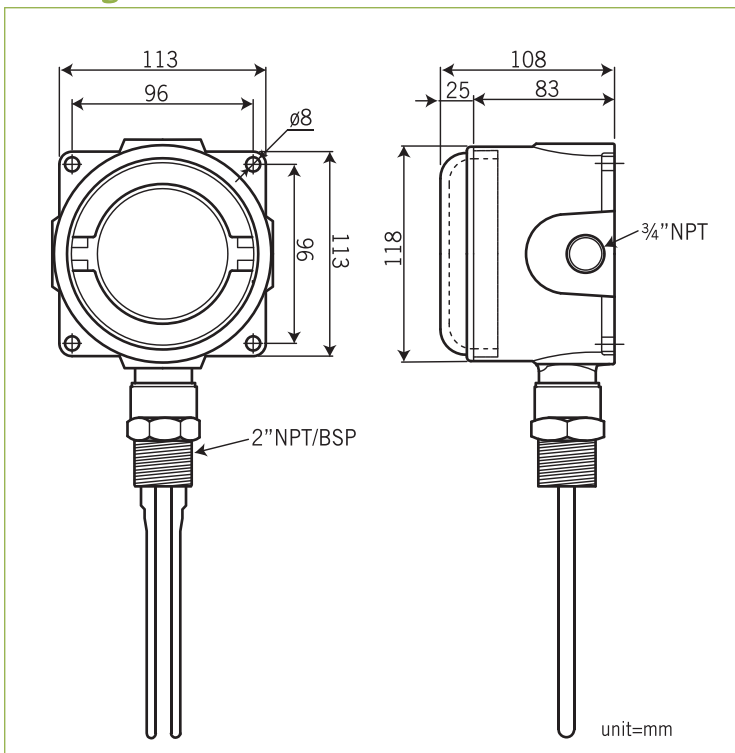
**Contact Form:** SPDT

**Contact Rating:** 20A/125VAC, 12A/250VAC

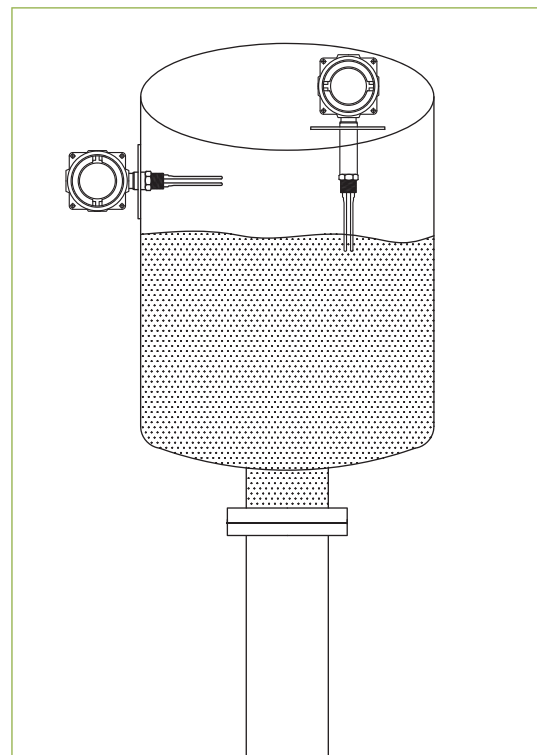
### Approvals:

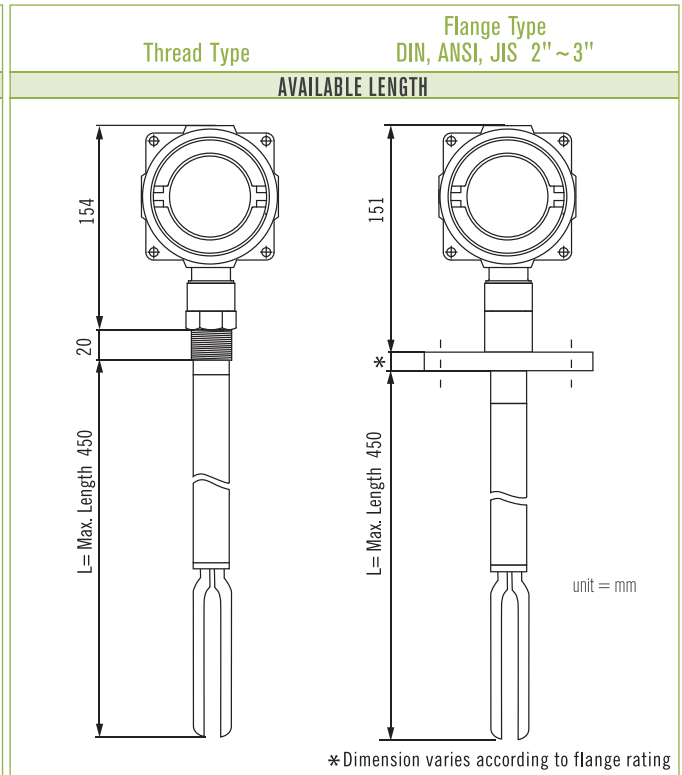
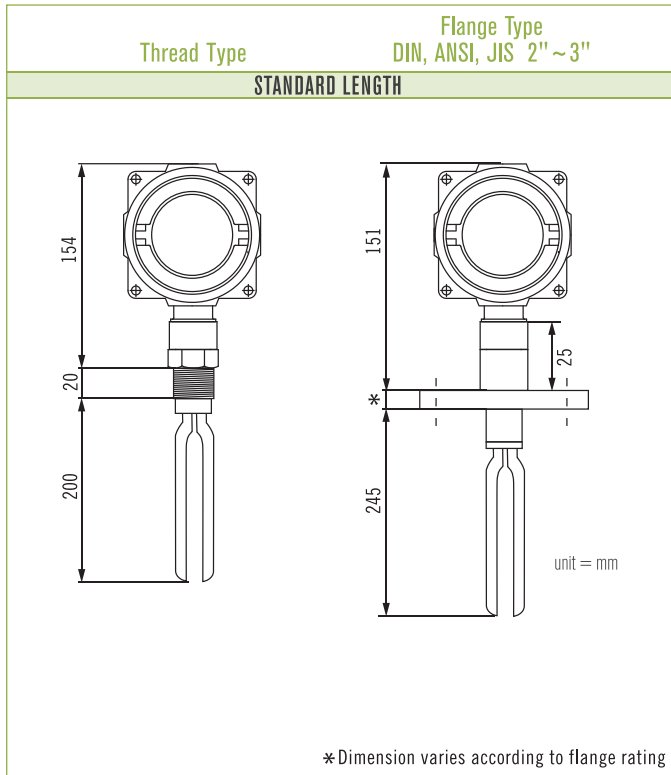


### Housing Dimensions



### Application and Installation





## Ordering Information

<b>VLS5500</b>	<b>Code</b>	<b>Process Connection</b>
		(1) Thread type (2) Flange type
		<b>Code</b> <b>Connection Size</b>
		(A) 2" (B) 3"
		<b>Code</b> <b>Connection Rating</b>
		Thread: (1) NPT (2) BSP Flange: (3) JIS10K (4) JIS20K (5) ANSI 150# (6) ANSI 300# (7) PN10 (8) PN16 (9) PN25 (0) Option: fill in the requested rating _____
		<b>Code</b> <b>Electronic Connection</b>
		(E) ¾"NPT Female, Standard (F) ½"NPT Female
		<b>Code</b> <b>Insertion Length</b>
		S      Standard
		L      Fill in the requested length ie: L=300mm
		<b>Code</b> <b>Power Supply</b>
		(A) 110VAC (B) 220VAC (C) 24VDC
<b>VLS5500</b>		<b>Complete Ordering Code</b>