



DIRECT-ACTIVATED PRESSURE REDUCING VALVE

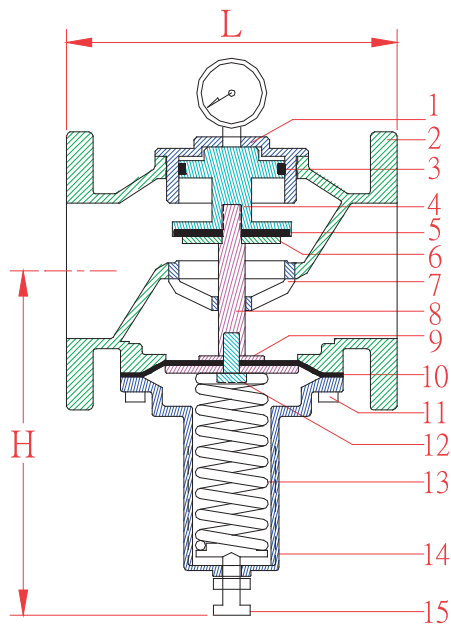
(Cast Iron/Flange Type)



- ▶ The gate is designed for opening status, which will not influence the water supply function under unstable inlet pressure condition.
- ▶ When the outlet pressure responds directly to the pressure control chamber and adjusts the setting pressure, it responds quickly and adjusts the pressure accurately.

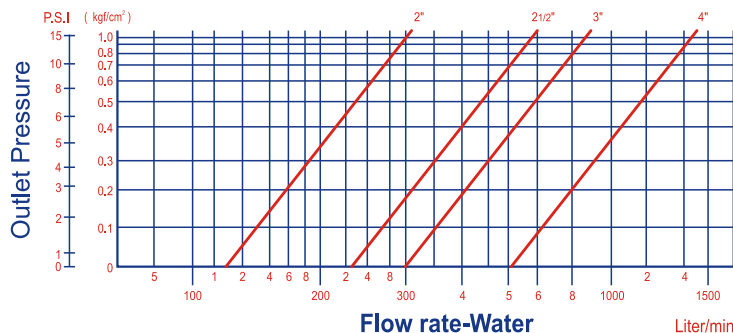
- ▶ Pressure Adjusting Range : 1 ~ 5 kgf/cm²
3 ~ 8 kgf/cm²
- ▶ Valve Body Testing Pressure : 21 kgf/cm²
- ▶ Maximum Applied Pressure : 16 kgf/cm²
(1 kgf/cm²=14.2 psi)
- ▶ Applied Temperature : -15 ~ 80°C

- ◎Special order is needed for other material and specification.
- ◎Pressure gauge shows outlet pressure.



No	Part Name	Material	No	Part Name	Material
1	Upper Cover	Bronze	11	Fixed Bolt	Stainless Steel
2	Main Body	Cast Iron	12	Fixed Bolt	Stainless Steel
3	U-ring	NBR	13	Spring	Spring Steel
4	Piston	Bronze	14	Lower Cover	Cast Iron
5	Sealing Spacer	NBR	15	Adjusting Stem	Stainless Steel
6	Diaphragm Washer	Brass			
7	Shaft Guiding Seat	Bronze			
8	Center Shaft	Brass			
9	Diaphragm Fixed Washer	Electroplated Iron			
10	Diaphragm	NBR			

Flow Chart of Direct-activated Pressure Reducing Valve



Item No	Size	H(mm)	L(mm)	Weight(kg)	CV
RET50-F	2"	150	190	12	21
RET65-F	2.5"	165	210	17	38
RET80-F	3"	200	225	19	55
RET100-F	4"	220	250	24	95