

SIGHT GLASS SO SERIES

Welding— On Vessel Type
Low Pressure System Used

Technical Data

Size: 1"~10" available

Pressure Limited: Up to 5 Bar(Kg/cm²) @25°C water;
 depending on request size

Temperature Limited: Up to 280°C

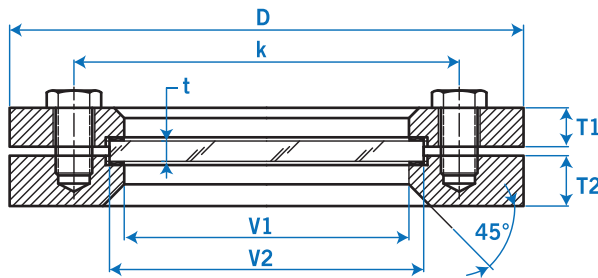
Material: Wetted Parts & Body— SS304, SS316 and Others on request
 Sight Glass— Transparent Tempered Glass
 Bolt— SS304 and Others on request



Approvals:



Dimensions



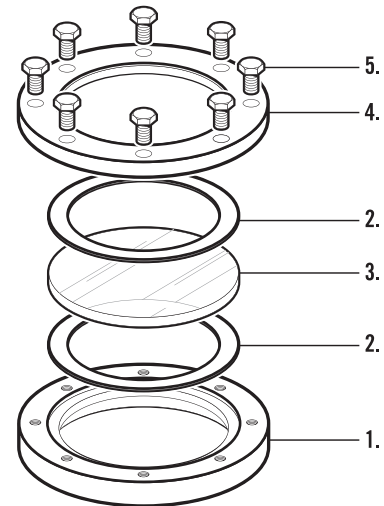
unit=mm

Size (inch)	1"	2"	3"	4"	5"	6"	8"	10"
Pressure Limit (bar)	5	5	5	5	5	5	4	5
V1 – Visible Diameter	50	80	100	125	150	175	225	300
V2 – Visible Diameter	60	89	114	150	175	200	250	325
t – Tempered Glass Thickness	10	10	12	15*	19*	19*	19*	19
(NOTE.)								
D – Flanges O.D	100	150	177	203	229	255	304	405
T1	20	20	20	20	25	25	30	35
T2	25	25	28	35	38	40	45	50
k	80	120	146	177	203	229	277	365
Bolt No.	4	4	4	8	8	8	8	8
Bolt Size	M12	M12	M12	M12	M12	M12	M12	M12
Bolt Length	30	30	30	35	35/45	35/45	40/45	45

***NOTE.**

- Tempered glass thickness **30 mm** is on the request for size of 4", 5", 6" and 8".
- Pressure limit for thickness 30mm:
 - 4" (150 x 30mm): 25 bar @25°C water
 - 5" (175 x 30mm): 25 bar @25°C water
 - 6" (200 x 30mm): 16 bar @25°C water
 - 8" (250 x 30mm): 10 bar @25°C water

Parts List



Item	Part Name
1.	Body
2.	Gasket
3.	Tempered Glass
4.	Cover
5.	Bolt

Ordering Informaion

SO	Code	Body Material					
↓	↓	1	SS304	2	SS316	3	Option
		Code		Size			
		(1) 1" (2) 2" (3) 3" (4) 4"					
		(5) 5" (6) 6" (7) 8" (8) 10"					
↓		Complete Ordering Code					