

# MAGNETIC FLOAT LEVEL SWITCH

## LS SERIES

The vertical float level switch consist of a float with a built in permanent magnet, and guide tube built in reed switch (one or more), when the float rise up or fall down in liquid that induct the reed switch to become ON or OFF contact function. The ON-OFF contact provide a liquid level control for application by request.

### Technical Data

**Material:** Wetted parts are available for SS304, SS316, PVC, PP, PVDF by requested. Multiple level point are available by requested for customer.

**Enclosure Housing:** Weather proof ; Explosion proof available

**Straight Style LS Series:** LS-simple type; WLS-weather proof type; ELS-explosion proof type

**Angle Style Series:** LA-simple type; WLA-weather proof type; ELA-explosion proof type

**Connection Size:** Thread type- 1½" to 3"; Flange type- 1½" to 4"

### Switch Table

Item Code	23	15	36
Contact Form	A (SPST)	C (SPDT)	C (SPDT)
Switching Capacity Max.	40 WVA	60 WVA	20 WVA
Switching Voltage Max.	230V AC/DC	250V AC/DC	150V AC/DC
Switching Current Max.	2A	1A	1A
Carrying Current Max.	3A	2A	2A
Working Temperature	-20°C~+130°C	-20°C~+130°C	-20°C~+130°C
Suitable Float Size	all float size available Except ø28: 3 setting points only	float size > ø49 available Except ø49: 1 setting point only	all float size available

\*Special rate available on request.

### Wiring Code Numbers

One Float		Two Float			Three Float			Four Float			
1	2	3	4	5	6	7	8	9	10	11	
Suitable Float Size: ø28, ø40, ø49, ø50, ø75								ø40	ø40	ø40 ø50	ø49
								ø49	ø49	ø49 ø75	ø50
								ø50	ø50		ø75
								ø75	ø75		
1xSPST	1xSPDT	SPST (Common Wire Style)		2xSPST		2xSPDT		3xSPST		3xSPDT	
								SPST (Common Wire Style)		SPST (Common Wire Style)	
								4xSPST		4xSPDT	

\*Float numbers more than four float on request, please contact to manufactory.



### Approvals:



TD0400TJ



工電(2016)第00225號  
工電(2016)第00226號



TYPE APPROVED PRODUCT

BUREAU VERITAS



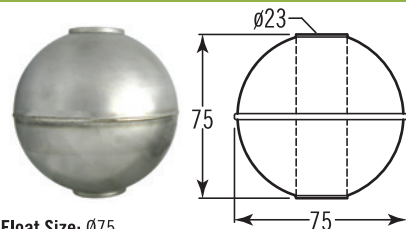
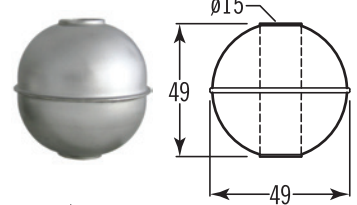
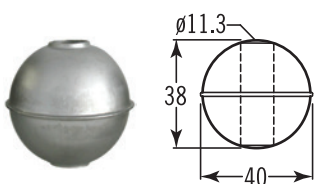
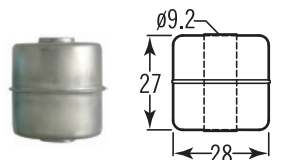
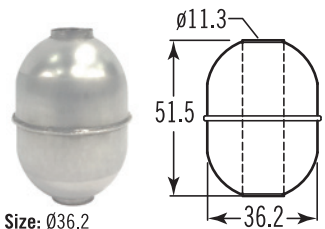
Switches with Intertek Test Report, refer to UL508 Standard.

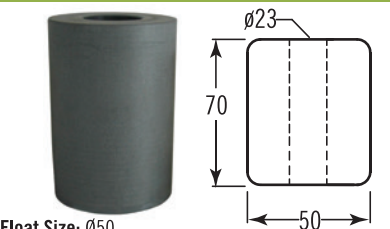
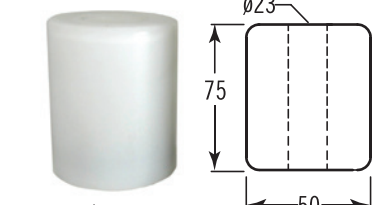
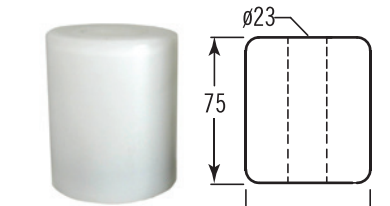
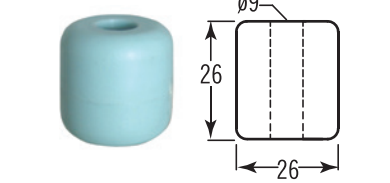
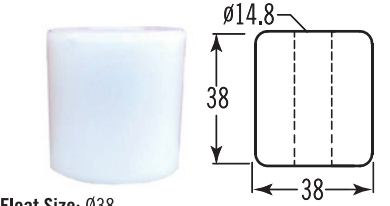
Intertek





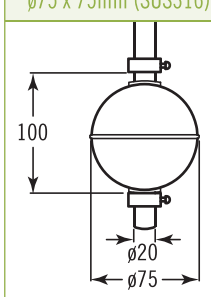
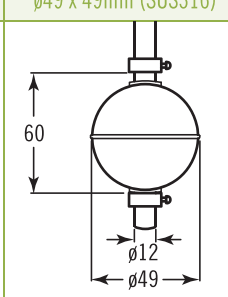
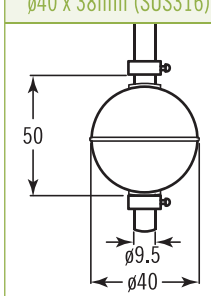
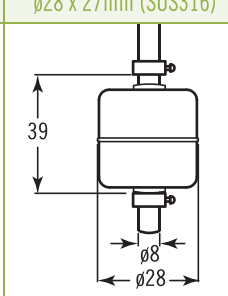
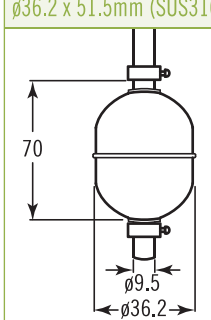
## Float Specification

<p><b>φ75 x 75mm (SUS316)</b></p>  <p>Float Size: φ75 Max. Working Pressure: 30 kg/cm<sup>2</sup> Working S.G.: ≥0.68 The Guide Tube Size: φ20 Material: SUS316 Limited Operating Temperature: -20~140°C</p>
<p><b>φ49 x 49mm (SUS316)</b></p>  <p>Float Size: φ49 Max. Working Pressure: 30 kg/cm<sup>2</sup> Working S.G.: ≥0.68 The Guide Tube Size: φ12 Material: SUS316 Limited Operating Temperature: -20~140°C</p>
<p><b>φ40 x 38mm (SUS316)</b></p>  <p>Float Size: φ40 Max. Working Pressure: 30 kg/cm<sup>2</sup> Working S.G.: ≥0.8 The Guide Tube Size: φ9.5 Material: SUS316 Limited Operating Temperature: -20~140°C</p>
<p><b>φ28 x 27mm (SUS316)</b></p>  <p>Float Size: φ28 Max. Working Pressure: 15 kg/cm<sup>2</sup> Working S.G.: ≥0.8 The Guide Tube Size: φ8 Material: SUS316 Limited Operating Temperature: -20~140°C</p>
<p><b>φ36.2 x 51.5mm (SUS316)</b></p>  <p>Float Size: φ36.2 Max. Working Pressure: 30 kg/cm<sup>2</sup> Working S.G.: ≥0.8 The Guide Tube Size: φ9.5 Material: SUS316 Limited Operating Temperature: -20~140°C</p>

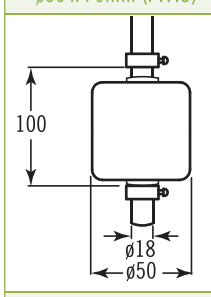
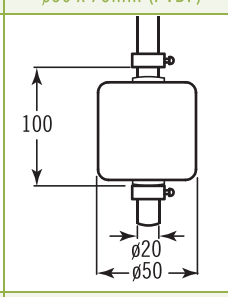
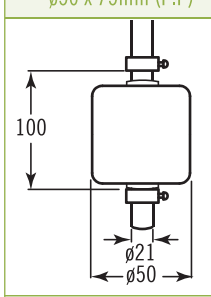
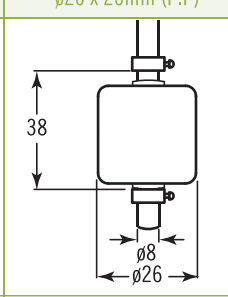
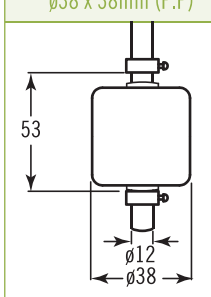
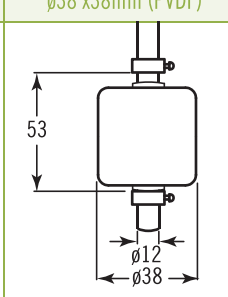
<p><b>φ50 x 70mm (P.V.C)</b></p>  <p>Float Size: φ50 Max. Working Pressure: 3 kg/cm<sup>2</sup> Working S.G.: ≥0.7 The Guide Tube Size: φ18 Material: P.V.C Limited Operating Temperature: 0~70°C</p>
<p><b>φ50 x 75mm (PVDF)</b></p>  <p>Float Size: φ50 Max. Working Pressure: 5 kg/cm<sup>2</sup> Working S.G.: ≥0.8 The Guide Tube Size: φ20 Material: PVDF Limited Operating Temperature: 0~120°C</p>
<p><b>φ50 x 75mm (P.P)</b></p>  <p>Float Size: φ50 Max. Working Pressure: 3 kg/cm<sup>2</sup> Working S.G.: ≥0.7 The Guide Tube Size: φ21 Material: P.P Limited Operating Temperature: 0~60°C</p>
<p><b>φ26 x 26mm (P.P)</b></p>  <p>Float Size: φ26 Max. Working Pressure: 3 kg/cm<sup>2</sup> Working S.G.: ≥0.7 The Guide Tube Size: φ8 Material: P.P Limited Operating Temperature: 0~60°C</p>
<p><b>φ38 x 38mm (P.P) or (PVDF)</b></p>  <p>Float Size: φ38 Max. Working Pressure: P.P: 3 kg/cm<sup>2</sup>; PVDF: 5 kg/cm<sup>2</sup> Working S.G.: ≥0.7 The Guide Tube Size: φ12 Material: P.P or PVDF Limited Operating Temperature: P.P: 0~60°C; PVDF: 0~120°C</p>

## ON-OFF Gap

### A. Metal

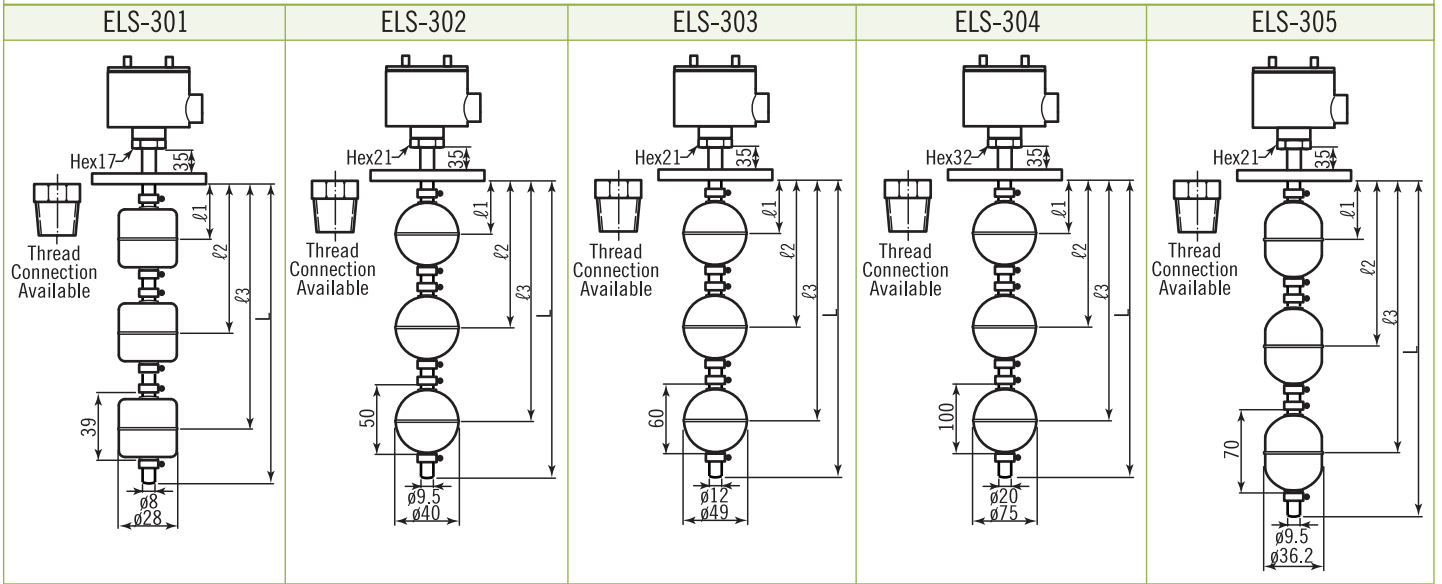
<p><b>φ75 x 75mm (SUS316)</b></p> 	<p><b>φ49 x 49mm (SUS316)</b></p> 
<p><b>φ40 x 38mm (SUS316)</b></p> 	<p><b>φ28 x 27mm (SUS316)</b></p> 
<p><b>φ36.2 x 51.5mm (SUS316)</b></p> 	

### B. Non-Metal

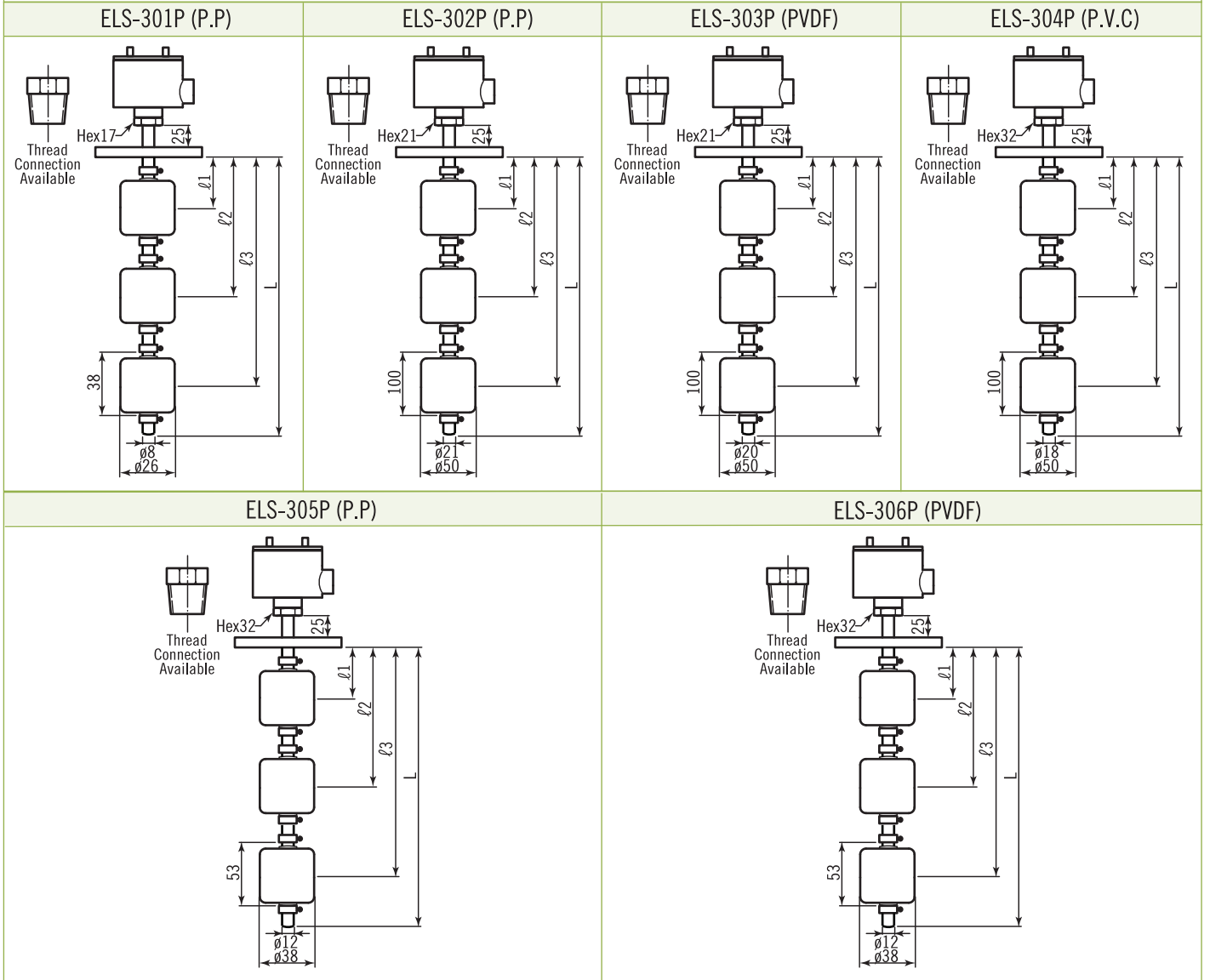
<p><b>φ50 x 70mm (P.V.C)</b></p> 	<p><b>φ50 x 75mm (PVDF)</b></p> 
<p><b>φ50 x 75mm (P.P)</b></p> 	<p><b>φ26 x 26mm (P.P)</b></p> 
<p><b>φ38 x 38mm (P.P)</b></p> 	<p><b>φ38 x 38mm (PVDF)</b></p> 

## ELS-300 Series Three Float Type

### Metal Float



### Non-Metal Float



## Ordering Information

ELS	Code	Model																							
		<table border="1"> <tr> <th colspan="5">- Metal Float</th> <th colspan="6">- Non-Metal Float</th> </tr> <tr> <td>301</td> <td>302</td> <td>303</td> <td>304</td> <td>305</td> <td>301P</td> <td>302P</td> <td>303P</td> <td>304P</td> <td>305P</td> <td>306P</td> <td></td> </tr> </table>	- Metal Float					- Non-Metal Float						301	302	303	304	305	301P	302P	303P	304P	305P	306P	
- Metal Float					- Non-Metal Float																				
301	302	303	304	305	301P	302P	303P	304P	305P	306P															
		<table border="1"> <tr> <th>Code</th> <th colspan="2">Process Connection Size</th> </tr> <tr> <td>A</td> <td>1½" (for float ø28, ø40 only)</td> <td>B 2" (float ø75 not available) C 3" D Option</td> </tr> </table>	Code	Process Connection Size		A	1½" (for float ø28, ø40 only)	B 2" (float ø75 not available) C 3" D Option																	
Code	Process Connection Size																								
A	1½" (for float ø28, ø40 only)	B 2" (float ø75 not available) C 3" D Option																							
		<table border="1"> <tr> <th>Code</th> <th colspan="2">Process Connection Rating</th> </tr> <tr> <td></td> <td colspan="2">Thread Type (A) PT (B) NPT (C) BSP (D) Option</td> </tr> <tr> <td></td> <td colspan="2">Flange Type (E) JIS 5K (F) JIS 10K (G) ANSI 150# (H) Option</td> </tr> </table>	Code	Process Connection Rating			Thread Type (A) PT (B) NPT (C) BSP (D) Option			Flange Type (E) JIS 5K (F) JIS 10K (G) ANSI 150# (H) Option															
Code	Process Connection Rating																								
	Thread Type (A) PT (B) NPT (C) BSP (D) Option																								
	Flange Type (E) JIS 5K (F) JIS 10K (G) ANSI 150# (H) Option																								
		<table border="1"> <tr> <th>Code</th> <th colspan="2">Material of Wetted Parts</th> </tr> <tr> <td></td> <td colspan="2">(1) SS304 (2) SS316 (3) P.V.C (4) P.P (5) PVDF (6) Option</td> </tr> </table>	Code	Material of Wetted Parts			(1) SS304 (2) SS316 (3) P.V.C (4) P.P (5) PVDF (6) Option																		
Code	Material of Wetted Parts																								
	(1) SS304 (2) SS316 (3) P.V.C (4) P.P (5) PVDF (6) Option																								
		<table border="1"> <tr> <th>Code</th> <th colspan="2">Contact Form</th> </tr> <tr> <td></td> <td colspan="2">(1) SPST (230V AC/DC) (2) SPDT (250V AC/DC) (3) SPDT (150V AC/DC)</td> </tr> </table>	Code	Contact Form			(1) SPST (230V AC/DC) (2) SPDT (250V AC/DC) (3) SPDT (150V AC/DC)																		
Code	Contact Form																								
	(1) SPST (230V AC/DC) (2) SPDT (250V AC/DC) (3) SPDT (150V AC/DC)																								
		<table border="1"> <tr> <th>Code</th> <th colspan="2">Wiring Code Numbers</th> </tr> <tr> <td></td> <td colspan="2">Please refer to <i>Wiring Code Numbers</i> table.</td> </tr> </table>	Code	Wiring Code Numbers			Please refer to <i>Wiring Code Numbers</i> table.																		
Code	Wiring Code Numbers																								
	Please refer to <i>Wiring Code Numbers</i> table.																								
		<table border="1"> <tr> <th>Code</th> <th colspan="2">Head Type</th> </tr> <tr> <td></td> <td colspan="2">(1) XDS (2) XDA (3) S2 (4) ES (5) EA (6) Option</td> </tr> </table>	Code	Head Type			(1) XDS (2) XDA (3) S2 (4) ES (5) EA (6) Option																		
Code	Head Type																								
	(1) XDS (2) XDA (3) S2 (4) ES (5) EA (6) Option																								
		<table border="1"> <tr> <th>Code</th> <th colspan="2">Float Size</th> </tr> <tr> <td></td> <td colspan="2">(A) ø28x27 (SS316) (B) ø40x38 (SS316) (C) ø49x49 (SS316) (D) ø75x75 (SS316) (E) ø26x26 (P.P) (F) ø50x75 (P.P) (G) ø50x75 (PVDF) (H) ø50x70 (P.V.C) (I) ø38x38 (P.P) (J) ø38x38 (PVDF) (K) ø36.2x51.5 (SS316)</td> </tr> </table>	Code	Float Size			(A) ø28x27 (SS316) (B) ø40x38 (SS316) (C) ø49x49 (SS316) (D) ø75x75 (SS316) (E) ø26x26 (P.P) (F) ø50x75 (P.P) (G) ø50x75 (PVDF) (H) ø50x70 (P.V.C) (I) ø38x38 (P.P) (J) ø38x38 (PVDF) (K) ø36.2x51.5 (SS316)																		
Code	Float Size																								
	(A) ø28x27 (SS316) (B) ø40x38 (SS316) (C) ø49x49 (SS316) (D) ø75x75 (SS316) (E) ø26x26 (P.P) (F) ø50x75 (P.P) (G) ø50x75 (PVDF) (H) ø50x70 (P.V.C) (I) ø38x38 (P.P) (J) ø38x38 (PVDF) (K) ø36.2x51.5 (SS316)																								
		<table border="1"> <tr> <th>Code</th> <th colspan="2">Conduit Size</th> </tr> <tr> <td></td> <td colspan="2">(A) ½"PF(F) (B) ½"NPT(F) (C) ¾"PF(F) (D) ¾"NPT(F) (O) Option</td> </tr> </table>	Code	Conduit Size			(A) ½"PF(F) (B) ½"NPT(F) (C) ¾"PF(F) (D) ¾"NPT(F) (O) Option																		
Code	Conduit Size																								
	(A) ½"PF(F) (B) ½"NPT(F) (C) ¾"PF(F) (D) ¾"NPT(F) (O) Option																								
		<table border="1"> <tr> <th>Code</th> <th colspan="2">Total Insertion Length</th> </tr> <tr> <td></td> <td colspan="2">L=_____mm</td> </tr> </table>	Code	Total Insertion Length			L=_____mm																		
Code	Total Insertion Length																								
	L=_____mm																								
		<table border="1"> <tr> <th>Code</th> <th colspan="2">Setting Point &amp; Switch Acting Functions</th> </tr> <tr> <td></td> <td colspan="2">Please fill in the requested length and float Rised ↑ON or Fall Down ↓ON ℓ1=_____mm <input type="checkbox"/> ON ℓ2=_____mm <input type="checkbox"/> ON ℓ3=_____mm <input type="checkbox"/> ON</td> </tr> </table>	Code	Setting Point & Switch Acting Functions			Please fill in the requested length and float Rised ↑ON or Fall Down ↓ON ℓ1=_____mm <input type="checkbox"/> ON ℓ2=_____mm <input type="checkbox"/> ON ℓ3=_____mm <input type="checkbox"/> ON																		
Code	Setting Point & Switch Acting Functions																								
	Please fill in the requested length and float Rised ↑ON or Fall Down ↓ON ℓ1=_____mm <input type="checkbox"/> ON ℓ2=_____mm <input type="checkbox"/> ON ℓ3=_____mm <input type="checkbox"/> ON																								
		<table border="1"> <tr> <th>Code</th> <th colspan="2">Explosion Proof Type / Head Housing Type</th> </tr> <tr> <td>A</td> <td colspan="2"><b>Certificate on Housing Only / S2:</b> EEx d IIC-T6, II 2 GD</td> </tr> <tr> <td>B</td> <td colspan="2"><b>Taiwan Explosion Proof Certification / ES &amp; EA:</b> Ex d IIB + H2 T6 Gb</td> </tr> <tr> <td>S</td> <td colspan="2"><b>Certificate on Housing Only / XDS &amp; XDA:</b> II 2 G D Ex d IIC T6 Ex tD A21 T100°C</td> </tr> </table>	Code	Explosion Proof Type / Head Housing Type		A	<b>Certificate on Housing Only / S2:</b> EEx d IIC-T6, II 2 GD		B	<b>Taiwan Explosion Proof Certification / ES &amp; EA:</b> Ex d IIB + H2 T6 Gb		S	<b>Certificate on Housing Only / XDS &amp; XDA:</b> II 2 G D Ex d IIC T6 Ex tD A21 T100°C												
Code	Explosion Proof Type / Head Housing Type																								
A	<b>Certificate on Housing Only / S2:</b> EEx d IIC-T6, II 2 GD																								
B	<b>Taiwan Explosion Proof Certification / ES &amp; EA:</b> Ex d IIB + H2 T6 Gb																								
S	<b>Certificate on Housing Only / XDS &amp; XDA:</b> II 2 G D Ex d IIC T6 Ex tD A21 T100°C																								
ELS		Complete Ordering Code																							