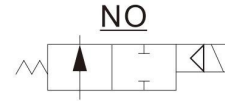
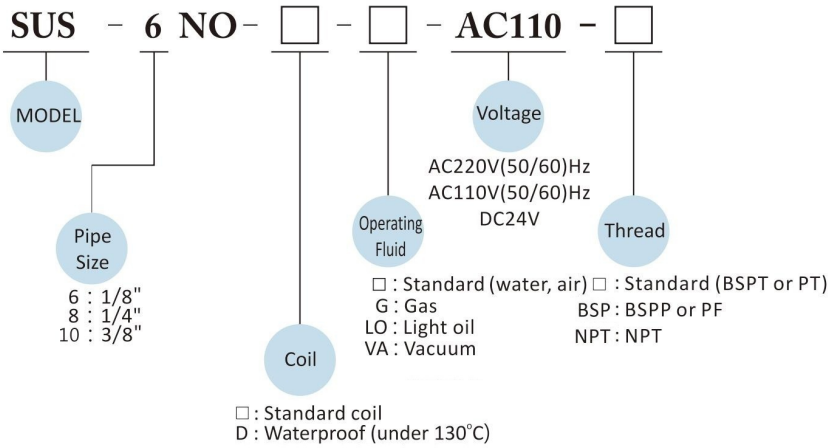


SUS-6 NO~10NO



PRODUCT DESCRIPTION

- SUS-NO series is direct-acting, conductive, and normally open (NO) 2/2 way solenoid valve.
- Able to be operated directly without pressure
- Availability of fluid type: water, air, light fuel, gas, vacuum
- Acceptable for customize Viton (130°C) , Silicone (130°C) and EPDM (130°C) for plug

CAUTIONS:

- Before pipelining, the pipe line must be very clean without any contaminants or any other things not ought to be existed.
- To prolong the life time of the product, Y-type filter at the front end of solenoid valve.
- AC voltage tolerance: ± 10%; DC voltage tolerance: ± 1%
- It should be installed horizontally; vertical installation is not advisable.

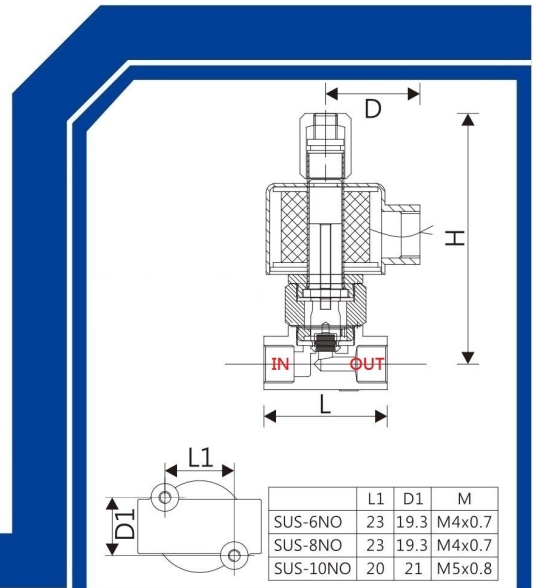
Not Suitable For Fluid As Below:

- Liquid status when it is high temperature solid status when cool.
- Corrosive fluid
- Viscosity over 50cst

MATERIAL:

PARTS	Coil	Tube	Spring	Core	Plug	O-ring	Valve body
MATERIAL	Special copper wire (H class)	Stainless steel	Stainless steel	Stainless steel	VITON	NBR	Stainless steel

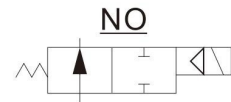
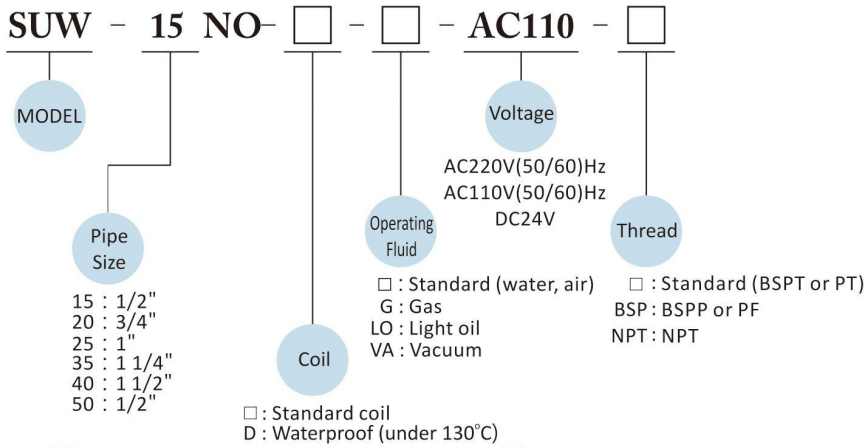
Normally Open Type



SPECIFICATION

MODEL	Waterproof DIN/flying lead Coil	NASS DIN Coil (IP65)	PIPE SIZE	CV	ORIFICE	FLUID TEMP. (°C)	Operating Pressure kgf / cm ² (bar)					Vacuum (Torr)	Dimension (mm)			Weight (kg)
							Water	Air	Steam	Light oil	Gas		L	H	D	
SUS-6 NO			1/8"	0.23	2.5mm	-5°C ~ +130°C	0~7	0~7		0~7	0~7	0~10 ⁻³	41	87	21.5	0.34
SUS-8 NO			1/4"	0.23	2.5mm	-5°C ~ +130°C	0~7	0~7		0~7	0~7	0~10 ⁻³	41	87	21.5	0.33
SUS-10 NO	●		3/8"	0.58	4mm	-5°C ~ +130°C	0~10	0~10		0~7	0~10	0~10 ⁻³	53	105	48	0.54

SUW-15NO~50NO



PRODUCT DESCRIPTION

- SUW-NO series is direct, multiplex, connected diaphragm, conductive and normally open (NO) 2/2 way solenoid valve.
- Able to operated directly under low pressure
- Availability of fluid type: water, air, light oil, gas, vacuum
- Acceptable for customize Viton (130°C) , Silicone (130°C) and EPDM (130°C) for plug and diaphragm

CAUTIONS:

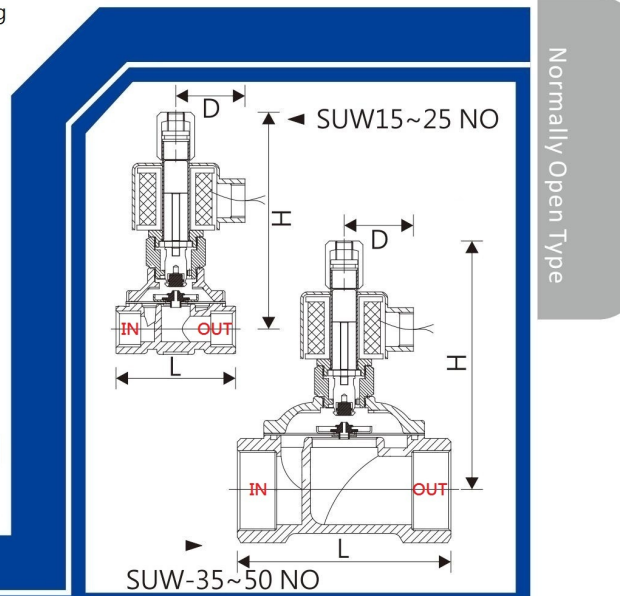
- Before pipelining, the pipe line must be very clean without any contaminants or any other things not ought to be existed.
- To prolong the life time of the product, Y-type filter at the front end of solenoid valve.
- AC voltage tolerance: ± 10%; DC voltage tolerance: ± 1%
- It should be installed horizontally; vertical installation is not advisable.

Not Suitable For Fluid As Below:

- Liquid status when it is high temperature solid status when cool.
- Corrosive fluid
- Viscosity over 20cst

MATERIAL:

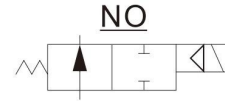
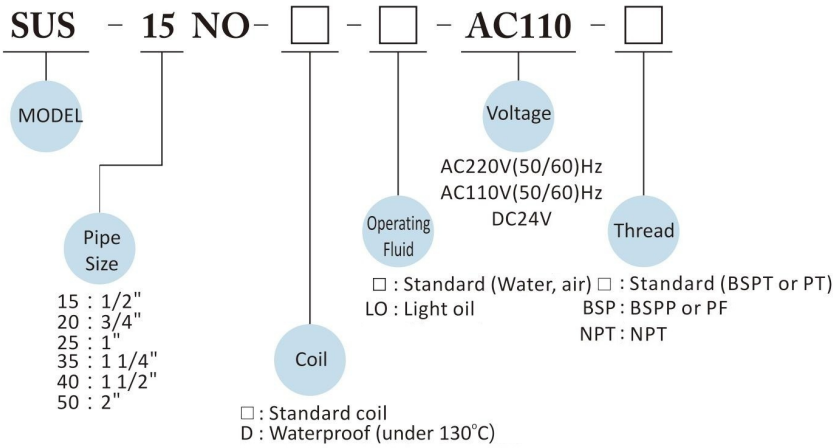
PARTS	Coil	Tube	Spring	Core	Plug	Diaphragm	Valve body
MATERIAL	Special copper wire (H class)	Stainless steel	Stainless steel	Stainless steel	NBR	NBR	Stainless steel



SPECIFICATION

MODEL	Waterproof DIN/flying lead Coil	NASS DIN Coil (IP65)	PIPE SIZE	CV	ORIFICE	FLUID TEMP. (°C)	Operating Pressure kgf / cm ² (bar)					Vacuum (Torr)	Dimension (mm)			Weight (kg)
							Water	Air	Steam	Light oil	Gas		L	H	D	
SUW-15 NO	●		1/2"	4.5	15mm	-5°C ~ +80°C	0~5	0~7		0~5	0~7	0~10 ⁻³	70	126	48	1
SUW-20 NO	●		3/4"	8.6	20mm	-5°C ~ +80°C	0~5	0~7		0~5	0~7	0~10 ⁻³	76	132	48	1.1
SUW-25 NO	●		1"	12	25mm	-5°C ~ +80°C	0~5	0~7		0~5	0~7	0~10 ⁻³	100	139	48	1.65
SUW-35 NO	●		1 1/4"	24	35mm	-5°C ~ +80°C	0~5	0~7		0~5	0~7	0~10 ⁻³	123	140	48	2.5
SUW-40 NO	●		1 1/2"	28	40mm	-5°C ~ +80°C	0~5	0~7		0~5	0~7	0~10 ⁻³	123	140	48	2.7
SUW-50 NO	●		2"	48	50mm	-5°C ~ +80°C	0~5	0~7		0~5	0~7	0~10 ⁻³	167	150	48	4.73

SUS-15NO~50NO



PRODUCT DESCRIPTION

- SUS-NO series is multiplex, pilot operated piston, conductive and normally open (NO) 2/2 way solenoid valve.
- Specially suitable for frequently operated
- Availability of fluid type: water, air, steam, light oil
- Acceptable for customize Viton , Silicone and EPDM for plug

CAUTIONS:

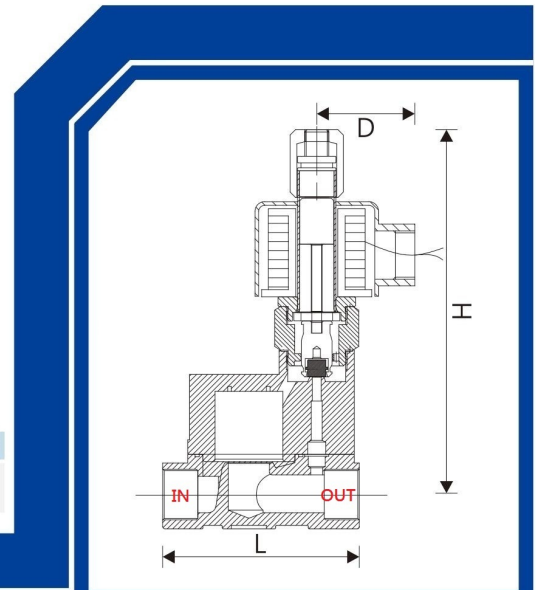
- Minimum pressure to close : over 0.5kgf-cm²
- Before pipelining, the pipe line must be very clean without any contaminants or any other things not ought to be existed.
- To prolong the life time of the product, Y-type filter at the front end of solenoid valve.
- AC voltage tolerance: ± 10%; DC voltage tolerance: ± 1%
- It should be installed horizontally; vertical installation is not advisable.

Not Suitable For Fluid As Below:

- Liquid status when it is high temperature solid status when cool.
- Corrosive fluid
- Viscosity over 20 cst

MATERIAL:

PARTS	Coil	Tube	Spring	Core	Plug	Piston Spring	Piston	Piston plug	Valve body
MATERIAL	Special copper wire (H class)	Stainless steel	Stainless steel	Stainless steel	VITON	Stainless steel	Stainless steel	PTFE	Stainless steel

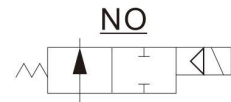
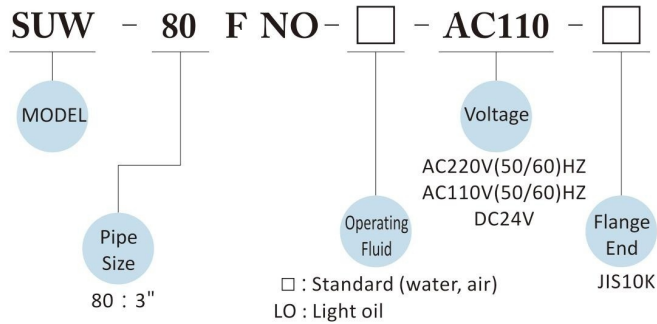


SPECIFICATION

MODEL	Waterproof DIN/flying lead Coil	NASS DIN Coil (IP65)	PIPE SIZE	CV	ORIFICE	FLUID TEMP. (°C)	Operating Pressure kgf / cm ² (bar)					Dimension (mm)			Weight (kg)
							Water	Air	Steam	Light oil	Gas	L	H	D	
SUS-15 NO	●		1/2"	4.0	17mm	-5°C ~ +130°C	0.5~10	0.5~10		0.5~8		84	147	48	1.52
SUS-20 NO	●		3/4"	6.0	17mm	-5°C ~ +130°C	0.5~10	0.5~10		0.5~8		84	151	48	1.58
SUS-25 NO	●		1"	12	22mm	-5°C ~ +130°C	0.5~10	0.5~10		0.5~8		98	162	48	2
SUS-35 NO	●		1 1/4"	18	30mm	-5°C ~ +130°C	1~10	1~10		0.5~8		123	173	48	2.8
SUS-40 NO	●		1 1/2"	22	30mm	-5°C ~ +130°C	1~10	1~10		0.5~8		123	175	48	2.9
SUS-50 NO	●		2"	48	50mm	-5°C ~ +130°C	1~8	1~8		0.5~8		167	203	48	5.7

Normally Open Type

SUW-80FNO



PRODUCT DESCRIPTION

- SUW-FNO series is multiplex, pilot operated piston, conductive and normally open (NO) 2/2 way solenoid valve.
- Availability of fluid type: water, air, light oil

CAUTIONS:

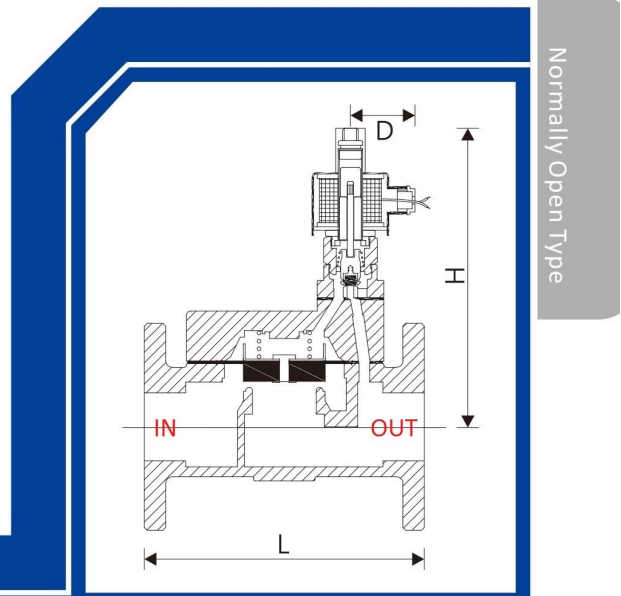
- Minimum pressure to close : over 0.5kgf-cm²
- Before pipelining, the pipe line must be very clean without any contaminants or any other things not ought to be existed.
- To prolong the life time of the product, Y-type filter at the front end of solenoid valve.
- AC voltage tolerance: ± 10%; DC voltage tolerance: ± 1%
- It should be installed horizontally; vertical installation is not advisable.

Not Suitable For Fluid As Below:

- Liquid status when it is high temperature solid status when cool.
- Corrosive fluid
- Viscosity over 20cst

MATERIAL:

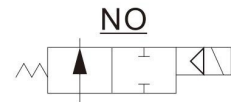
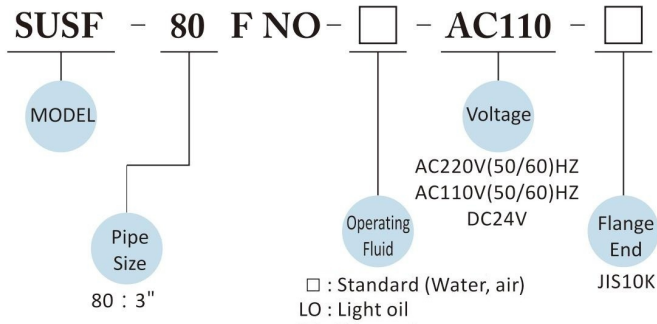
PARTS	Coil	Tube	Spring	Core	Plug	Diaphragm	Valve body
MATERIAL	Special copper wire (H class)	Stainless steel	Stainless steel	Stainless steel	NBR	NBR	Stainless steel



SPECIFICATION

MODEL	Waterproof DIN/flying lead Coil	NASS DIN Coil (IP65)	PIPE SIZE	CV	ORIFICE	FLUID TEMP. (°C)	Operating Pressure kgf / cm ² (bar)					Dimension (mm)			Weight (kg)
							Water	Air	Steam	Light oil	Gas	L	H	D	
SUW-80FNO			3"	100	80mm	-5°C ~ +80°C	0.5~8	0.5~8		0.5~5		240	205	58	16

SUS-80FNO



PRODUCT DESCRIPTION

- SUS-FNO series is multiplex, pilot operated piston, conductive and normally open (NO) 2/2 way solenoid valve.
- Availability of fluid type: water, air, light oil

CAUTIONS:

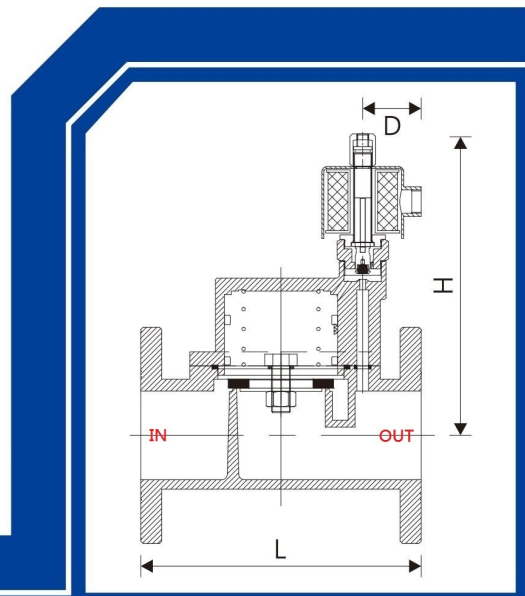
- Minimum pressure to close : over 1kgf-cm²
- Before pipelining, the pipe line must be very clean without any contaminants or any other things not ought to be existed.
- To prolong the life time of the product, Y-type filter at the front end of solenoid valve.
- AC voltage tolerance: ± 10%; DC voltage tolerance: ± 1%
- It should be installed horizontally; vertical installation is not advisable.

Not Suitable For Fluid As Below:

- Liquid status when it is high temperature solid status when cool.
- Corrosive fluid
- Viscosity over 20cst

MATERIAL:

PARTS	Coil	Tube	Spring	Core	Plug	Piston	Piston plug	Valve body
MATERIAL	Special copper wire (H class)	Stainless steel	Stainless steel	Stainless steel	VITON	Stainless steel	PTFE	Stainless steel



SPECIFICATION

MODEL	Waterproof DIN/flying lead Coil	NASS DIN Coil (IP65)	PIPE SIZE	CV	ORIFICE	FLUID TEMP. (°C)	Operating Pressure kgf / cm ² (bar)					Dimension (mm)			Weight (kg)
							Water	Air	Steam	Light oil	Gas	L	H	D	
SUS-80F NO			3"	100	80mm	-5°C ~ +130°C	1~8	1~8		1~8		240	252	58	20

Normally Open Type