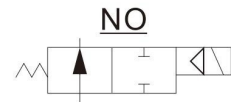
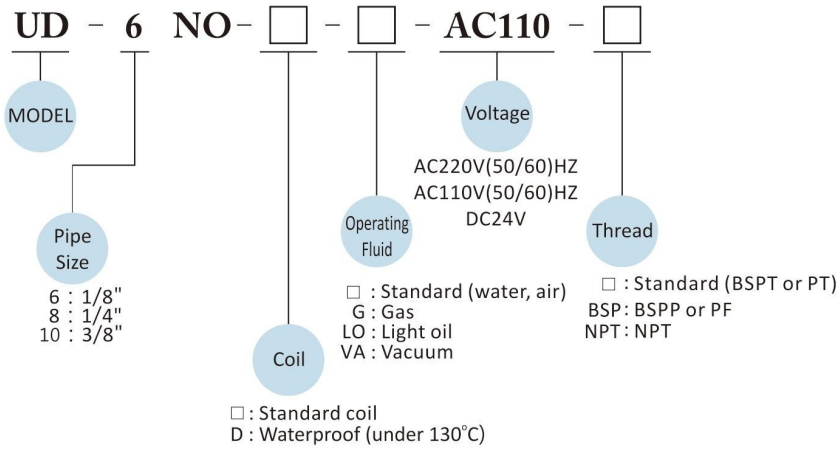


UD-6NO~10NO



PRODUCT DESCRIPTION

- UDNO series is direct-acting, conductive, and normally open (NO) 2/2 way solenoid valve.
- Able to be operated directly without pressure
- Availability of fluid type: water, air, light fuel, gas, vacuum
- Acceptable for customize Viton (130°C) , Silicone (130°C) and EPDM (130°C)

CAUTIONS:

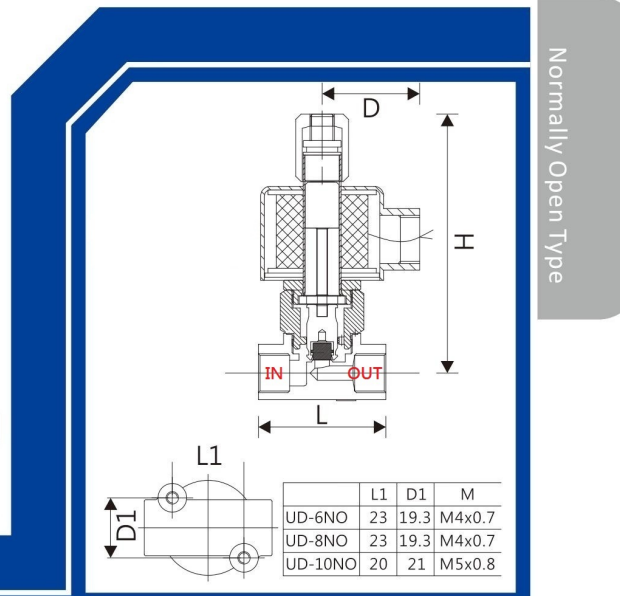
- Before pipelining, the pipe line must be very clean without any contaminants or any other things not ought to be existed.
- To prolong the life time of the product, Y-type filter at the front end of solenoid valve.
- AC voltage tolerance: ± 10%; DC voltage tolerance: ± 1%
- It should be installed horizontally; vertical installation is not advisable.

Not Suitable For Fluid As Below:

- Liquid status when it is high temperature solid status when cool.
- Corrosive fluid
- Viscosity over 20cst

MATERIAL:

PARTS	Coil	Tube	Spring	Core	Plug	O-ring	Valve body
MATERIAL	Special copper wire (H class)	Stainless steel	Stainless steel	Stainless steel	NBR (Viton, Silicone)	NBR	Forged Brass

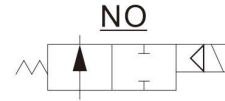
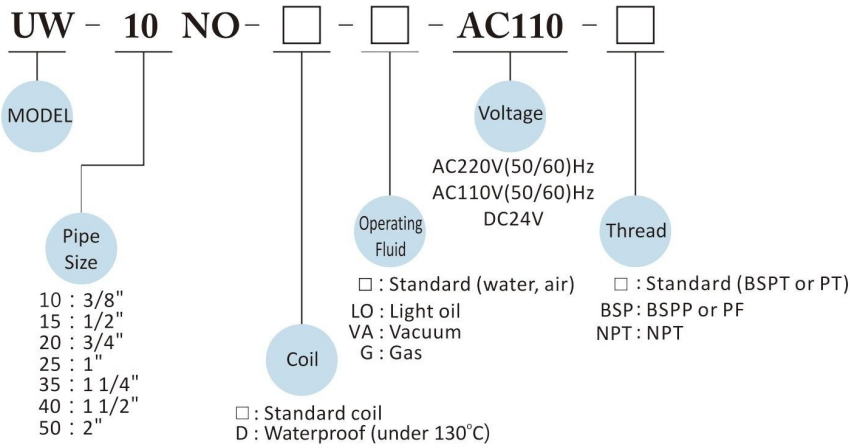


SPECIFICATION

MODEL	Waterproof DIN/flying lead Coil	NASS DIN Coil (IP65)	PIPE SIZE	CV	ORIFICE	FLUID TEMP. (°C)	Operating Pressure kgf / cm ² (bar)					Vacuum (Torr)	Dimension (mm)			Weight (kg)
							Water	Air	Steam	Light oil	Gas		L	H	D	
UD-6 NO			1/8"	0.23	2.5mm	-5°C ~ +80°C	0~7	0~7		0~7	0~7	0~10 ⁻³	41	87	21.5	0.44
UD-8 NO			1/4"	0.23	2.5mm	-5°C ~ +80°C	0~7	0~7		0~7	0~7	0~10 ⁻³	41	87	21.5	0.43
UD-8 NO			1/4"	0.58	4mm	-5°C ~ +80°C	0~3	0~3		0~3	0~3	0~10 ⁻³	41	87	21.5	0.43
UD-8 NO			1/4"	0.79	6mm	-5°C ~ +80°C	0~1	0~1		0~1	0~1	0~10 ⁻³	41	87	21.5	0.43
UD-8H NO			1/4"	0.18	1.2mm	-5°C ~ +130°C	0~20	0~20		0~20	0~20	0~10 ⁻³	41	87	21.5	0.43
UD-10 NO	●		3/8"	0.58	4mm	-5°C ~ +80°C	0~10	0~10		0~10	0~10	0~10 ⁻³	53	105	48	0.7

● UD-6~UD-8 NO Voltage: DC24V , (H): 79.5mm

UW-10NO~50NO



PRODUCT DESCRIPTION

- UW-NO series is direct, multiplex, connected diaphragm, conductive and normally open (NO) 2/2 way solenoid valve.
- Able to operated directly under low pressure
- Availability of fluid type: water, air, light oil
- Acceptable for customize Viton (130°C) , Silicone (130°C) and EPDM (130°C)

CAUTIONS:

- Before pipelining, the pipe line must be very clean without any contaminants or any other things not ought to be existed.
- To prolong the life time of the product, Y-type filter at the front end of solenoid valve.
- AC voltage tolerance: ± 10%; DC voltage tolerance: ± 1%
- It should be installed horizontally; vertical installation is not advisable.

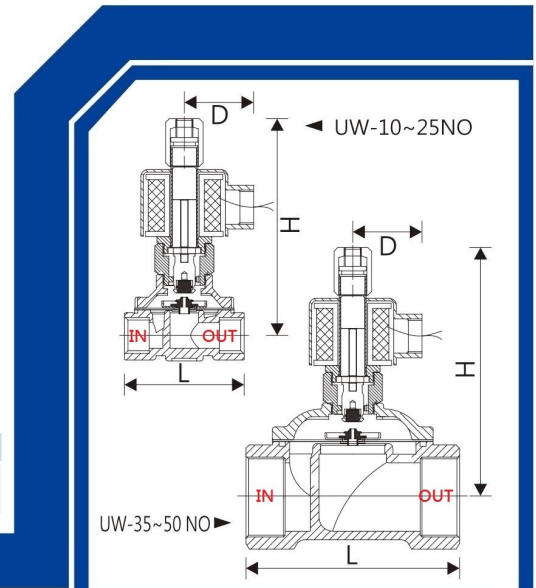
Not Suitable For Fluid As Below:

- Liquid status when it is high temperature solid status when cool.
- Corrosive fluid
- Viscosity over 20cst

MATERIAL:

PARTS	Coil	Tube	Spring	Core	Plug	Diaphragm	Valve body
MATERIAL	Special copper wire (H class)	Stainless steel	Stainless steel	Stainless steel	NBR	NBR	Forged Brass

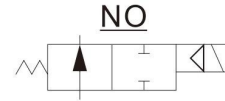
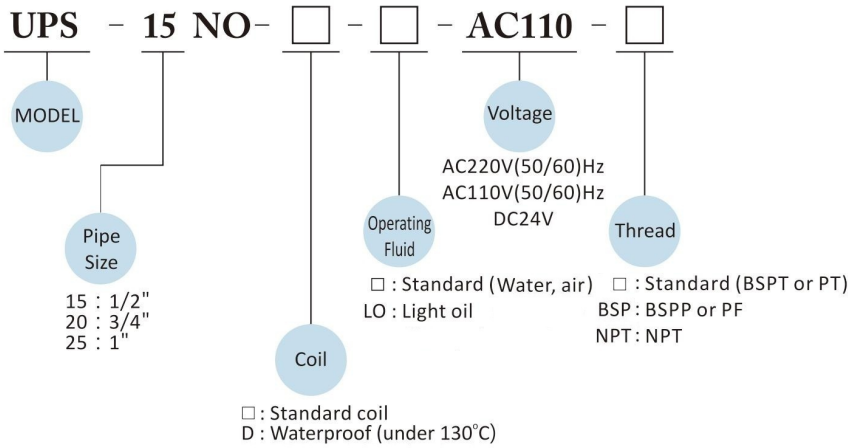
Normally Open Type



SPECIFICATION

MODEL	Waterproof DIN/flying lead Coil	NASS DIN Coil (IP65)	PIPE SIZE	CV	ORIFICE	FLUID TEMP. (°C)	Operating Pressure kgf / cm ² (bar)					Vacuum (Torr)	Dimension (mm)			Weight (kg)
							Water	Air	Steam	Light oil	Gas		L	H	D	
UW-10 NO	●		3/8"	4.5	15mm	-5°C ~ +80°C	0~5	0~7		0~5	0~7	0~10 ⁻³	70	128	48	1
UW-15 NO	●		1/2"	4.5	15mm	-5°C ~ +80°C	0~5	0~7		0~5	0~7	0~10 ⁻³	70	128	48	0.98
UW-20 NO	●		3/4"	8.6	20mm	-5°C ~ +80°C	0~5	0~7		0~5	0~7	0~10 ⁻³	73	133	48	1.12
UW-25 NO	●		1"	12	25mm	-5°C ~ +80°C	0~5	0~7		0~5	0~7	0~10 ⁻³	100	138	48	1.7
UW-35 NO	●		1 1/4"	24	35mm	-5°C ~ +80°C	0~5	0~7		0~5	0~7	0~10 ⁻³	125	139	48	2.5
UW-40 NO	●		1 1/2"	28	40mm	-5°C ~ +80°C	0~5	0~7		0~5	0~7	0~10 ⁻³	125	145	48	2.9
UW-50 NO	●		2"	48	50mm	-5°C ~ +80°C	0~5	0~7		0~5	0~7	0~10 ⁻³	167	156	48	4.5

UPS-15NO~25NO



PRODUCT DESCRIPTION

- UPS-NO series is multiplex, pilot operated piston, conductive and normally open (NO) 2/2 way solenoid valve.
- Specially suitable for frequently operated
- Availability of fluid type: water, air, light oil
- Acceptable for customize Viton , Silicone and EPDM plug

CAUTIONS:

- Minimum pressure to close : over 0.5kgf-cm²
- Before pipelining, the pipe line must be very clean without any contaminants or any other things not ought to be existed.
- To prolong the life time of the product, Y-type filter at the front end of solenoid valve.
- AC voltage tolerance: ± 10%; DC voltage tolerance: ± 1%
- It should be installed horizontally; vertical installation is not advisable.

Not Suitable For Fluid As Below:

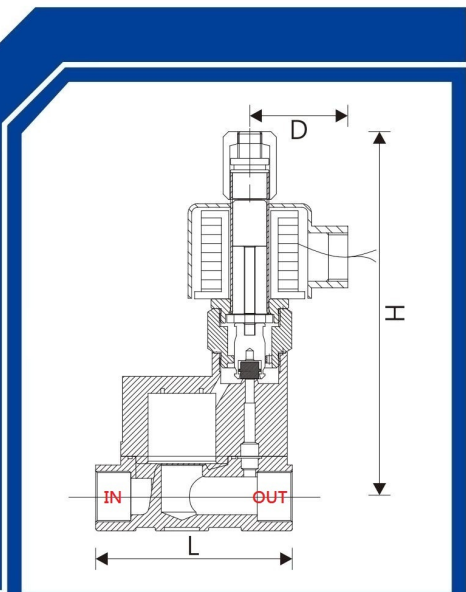
- Liquid status when it is high temperature solid status when cool.
- Corrosive fluid
- Viscosity over 20 cst

MATERIAL:

PARTS	Coil	Tube	Spring	Core	Plug	Piston Spring	Piston	Piston plug	Valve body
MATERIAL	Special copper wire (H class)	Stainless steel	Stainless steel	Stainless steel	VITON	Stainless steel	Brass	PTFE	Forged Brass

SPECIFICATION

MODEL	Waterproof DIN/flying lead Coil	NASS DIN Coil (IP65)	PIPE SIZE	CV	ORIFICE	FLUID TEMP. (°C)	Operating Pressure kgf / cm ² (bar)					Dimension (mm)			Weight (kg)
							Water	Air	Steam	Light oil	Gas	L	H	D	
UPS-15 NO	●		1/2"	4.0	17mm	-5°C ~ +130°C	0.5~10	0.5~10		0.5~8		82	150	48	1.46
UPS-20 NO	●		3/4"	6.0	17mm	-5°C ~ +130°C	0.5~10	0.5~10		0.5~8		82	152	48	1.58
UPS-25 NO	●		1"	12	22mm	-5°C ~ +130°C	0.5~10	0.5~10		0.5~8		100	165	48	2.3



Normally Open Type