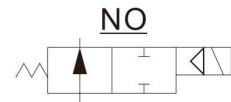
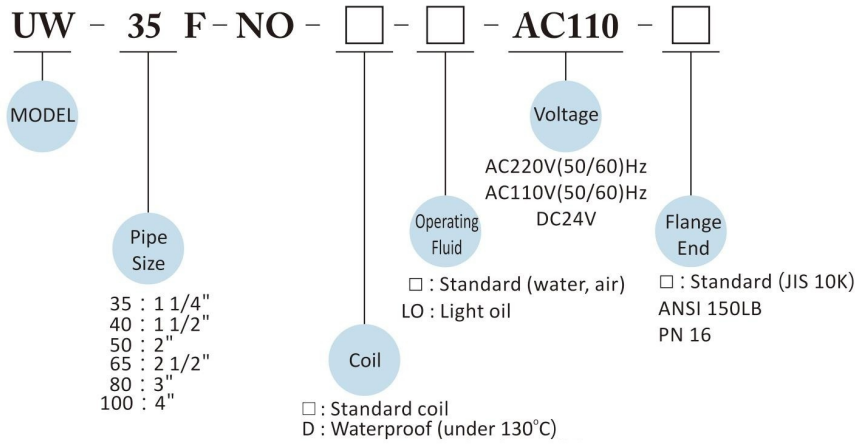


UW-35F-NO~100F-NO



PRODUCT DESCRIPTION

- UWF-NO series is multiplex, pilot operated piston, conductive and normally open (NO) 2/2 way solenoid valve.
- Availability of fluid type: water, air, light oil
- Acceptable for customize Viton , Silicone and EPDM for plug

CAUTIONS:

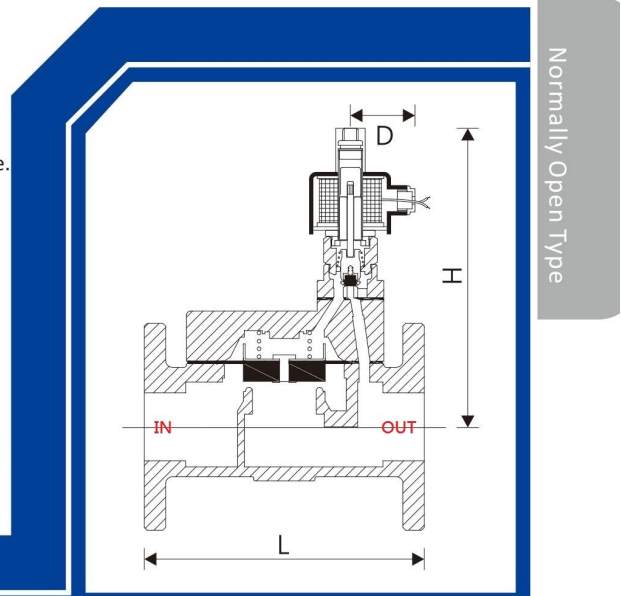
- Minimum pressure to open: over 0.5kgf-cm²
- Before pipelining, the pipe line must be very clean without any contaminants or any other things not ought to be existed.
- To prolong the life time of the product, Y-type filter at the front end of solenoid valve.
- AC voltage tolerance: ± 10%; DC voltage tolerance: ± 1%
- It should be installed horizontally; vertical installation is not advisable.

Not Suitable For Fluid As Below:

- Liquid status when it is high temperature solid status when cool.
- Corrosive fluid
- Viscosity over 20cst

MATERIAL:

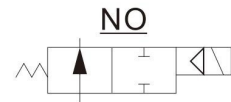
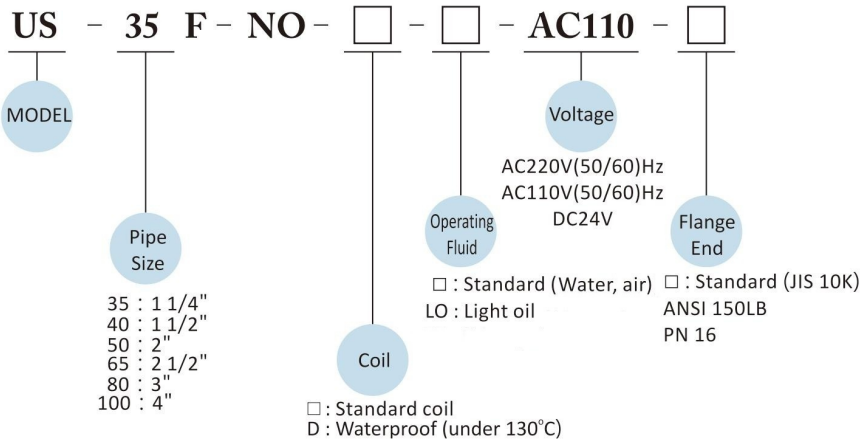
PARTS	Coil	Tube	Spring	Core	Plug	Diaphragm	Valve body
MATERIAL	Special copper wire (H class)	Stainless steel	Stainless steel	Stainless steel	NBR	NBR	Cast Iron (FC-20)



SPECIFICATION

MODEL	Waterproof DIN/flying lead Coil	NASS DIN Coil (IP65)	PIPE SIZE	CV	ORIFICE	FLUID TEMP. (°C)	Operating Pressure kgf / cm ² (bar)					Dimension (mm)			Weight (kg)
							Water	Air	Steam	Light oil	Gas	L	H	D	
UW-35F-NO	●		1 1/4"	22	35mm	-5°C ~ +80°C	0.5~8	0.5~8		0.5~5		200	195	48	9.1
UW-40F-NO	●		1 1/2"	30	40mm	-5°C ~ +80°C	0.5~8	0.5~8		0.5~5		200	195	48	9.8
UW-50F-NO	●		2"	40	50mm	-5°C ~ +80°C	0.5~8	0.5~8		0.5~5		210	208	48	11.5
UW-65F-NO	●		2 1/2"	68	65mm	-5°C ~ +80°C	0.5~8	0.5~8		0.5~5		240	213	48	15.8
UW-80F-NO	●		3"	102	80mm	-5°C ~ +80°C	0.5~8	0.5~8		0.5~5		300	222	48	21
UW-100F-NO	●		4"	180	100mm	-5°C ~ +80°C	0.5~8	0.5~8		0.5~5		340	238	48	31.9

US-35F-NO~100F-NO



PRODUCT DESCRIPTION

- USF-NO series is multiplex, pilot operated piston, conductive and normally open (NO) 2/2 way solenoid valve.
- Availability of fluid type: water, air, light oil
- Acceptable for customize Viton (130°C), Silicone (130°C) and EPDM (130°C) for plug

CAUTIONS:

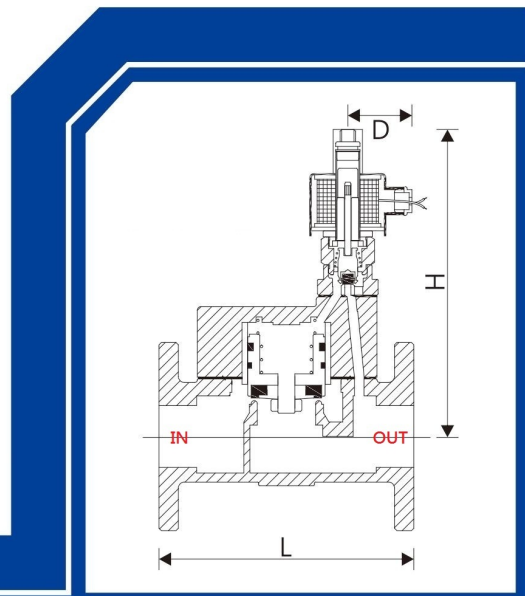
- Minimum pressure to open: over 0.5kgf-cm²
- Before pipelining, the pipe line must be very clean without any contaminants or any other things not ought to be existed.
- To prolong the life time of the product, Y-type filter at the front end of solenoid valve.
- AC voltage tolerance: ± 10%; DC voltage tolerance: ± 1%
- It should be installed horizontally; vertical installation is not advisable.

Not Suitable For Fluid As Below:

- Liquid status when it is high temperature solid status when cool.
- Corrosive fluid
- Viscosity over 20cst

MATERIAL:

PARTS	Coil	Tube	Spring	Core	Plug	Piston Spring	Piston plug	Valve body
MATERIAL	Special copper wire (H class)	Stainless steel	Stainless steel	Stainless steel	VITON	Stainless steel	PTFE	Cast Iron (FC-20)



SPECIFICATION

MODEL	Waterproof DIN/flying lead Coil	NASS DIN Coil (IP65)	PIPE SIZE	CV	ORIFICE	FLUID TEMP. (°C)	Operating Pressure kgf / cm ² (bar)					Dimension (mm)			Weight (kg)
							Water	Air	Steam	Light oil	Gas	L	H	D	
US-35F-NO	●		1 1/4"	22	35mm	-5°C ~ +130°C	1~8	1~8		1~8		200	220	48	10.9
US-40F-NO	●		1 1/2"	30	40mm	-5°C ~ +130°C	1~8	1~8		1~8		200	220	48	11.1
US-50F-NO	●		2"	40	50mm	-5°C ~ +130°C	1~8	1~8		1~8		210	233	48	13.4
US-65F-NO	●		2 1/2"	68	65mm	-5°C ~ +130°C	1~8	1~8		1~8		240	240	48	19.4
US-80F-NO	●		3"	100	80mm	-5°C ~ +130°C	1~8	1~8		1~8		300	259	48	27.2
US-100F-NO	●		4"	175	100mm	-5°C ~ +130°C	1~8	1~8		1~8		340	274	48	38.9

Normally Open Type