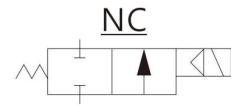
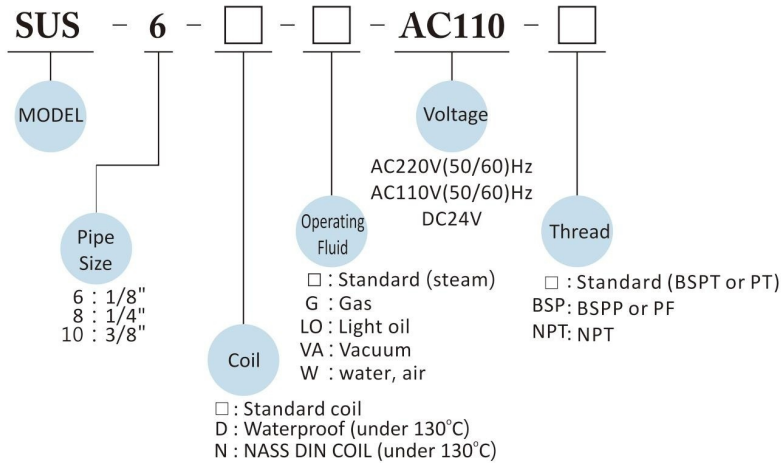


SUS-6~10

UD Series



PRODUCT DESCRIPTION

- SUS series is direct-acting, conductive, and normally closed (NC) 2/2 way solenoid valve.
- Able to be operated directly without pressure
- Availability of fluid type: water, air, steam, light oil, gas, vacuum
- Acceptable for customization Viton (130°C), Silicone (130°C) and EPDM (130°C) for plug

CAUTIONS:

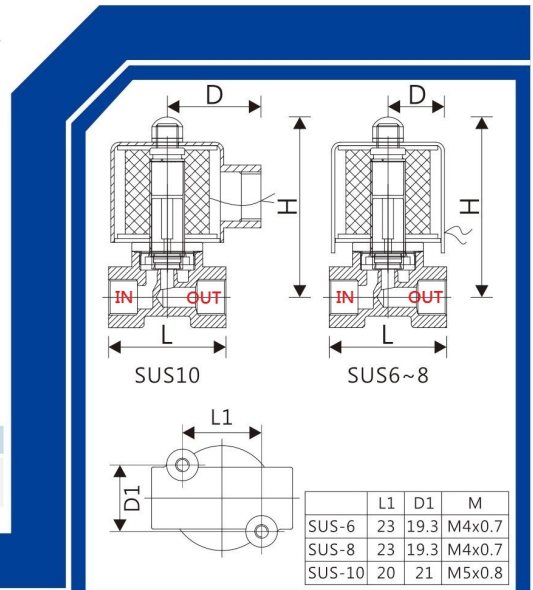
- Before pipelining, the pipe line must be very clean without any contaminants or any other things not ought to be existed.
- To prolong the life time of the product, Y-line filter should be installed in the front end of solenoid valve.
- The temperature of steam should not over 185°C
- AC voltage tolerance: ± 10%; DC voltage tolerance: ± 1%
- It should be installed horizontally; vertical installation is not advisable.

Not Suitable For Fluid As Below:

- Liquid status when it is high temperature; solid status when it is cool.
- Corrosive fluid
- Viscosity over 50cst

MATERIAL:

PARTS	Coil	Tube	Spring	Core	Plug	O-ring	Valve body
MATERIAL	Special copper wire (H class)	Stainless steel	Stainless steel	Stainless steel	PTFE(standard) NBR	PTFE(standard) NBR	Stainless steel



SPECIFICATION

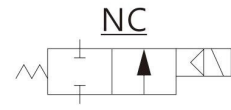
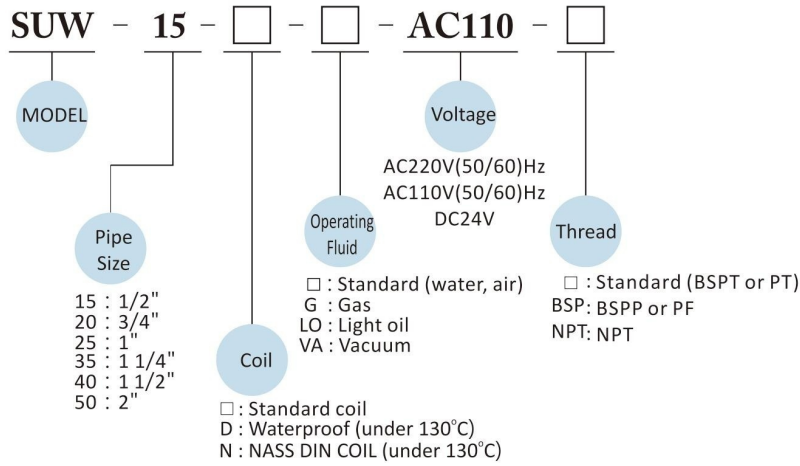
MODEL	Waterproof DIN/flying lead Coil	NASS DIN Coil (IP65)	PIPE SIZE	CV	ORIFICE	FLUID TEMP. (°C)	Operating Pressure kgf / cm ² (bar)					Vacuum (Torr)	Dimension (mm)			Weight (kg)
							Water	Air	Steam	Light oil	Gas		L	H	D	
SUS-6	●		1/8"	0.23	2.5mm	-5°C ~ +185°C	0~7	0~7	0~7	0~7		41	68	21.5	0.34	
SUS-8	●		1/4"	0.23	2.5mm	-5°C ~ +185°C	0~7	0~7	0~7	0~7		41	68	21.5	0.33	
SUS-10	●	●	3/8"	0.58	4mm	-5°C ~ +185°C	0~10	0~10	0~10	0~10		53	83	48	0.54	

● Plug Material: PTFE

SUS-6	●		1/8"	0.23	2.5mm	-5°C ~ +80°C	0~7	0~7			0~7	0~10 ³	41	68	21.5	0.34
SUS-8	●		1/4"	0.23	2.5mm	-5°C ~ +80°C	0~7	0~7			0~7	0~10 ³	41	68	21.5	0.33
SUS-10	●	●	3/8"	0.58	4mm	-5°C ~ +80°C	0~10	0~10			0~10	0~10 ³	53	83	48	0.54

● Plug Material: NBR

SUW-15~50



UD Series

PRODUCT DESCRIPTION

- SUW series is direct, multiplex, connected diaphragm, conductive and normally closed (NC) 2/2 way solenoid valve.
- Able to be operated directly under low pressure
- Availability of fluid type: water, air, light oil, gas, vacuum
- Acceptable for customization Viton (130°C) , Silicone (130°C) and EPDM (130°C)(only 3/8"~3/4") for plug and diaphragm

CAUTIONS:

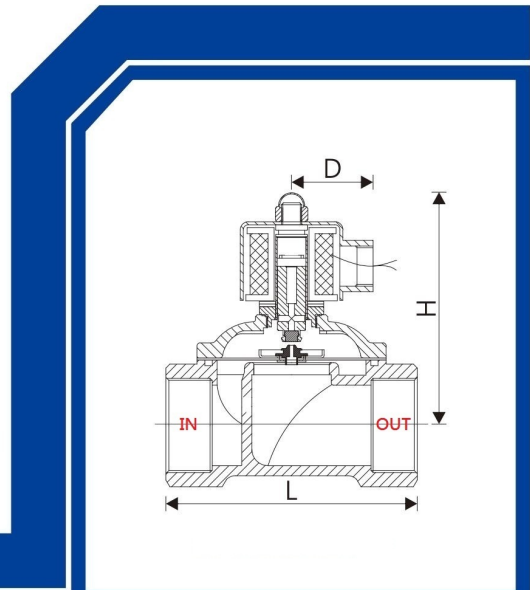
- Before pipelining, the pipe line must be very clean without any contaminants or any other things not ought to be existed.
- To prolong the life time of the product, Y-line filter should be installed in the front end of solenoid valve.
- AC voltage tolerance: ± 10%; DC voltage tolerance: ± 1%
- It should be installed horizontally; vertical installation is not advisable.

Not Suitable For Fluid As Below:

- Liquid status when it is high temperature; solid status when it is cool.
- Corrosive fluid
- Viscosity over 20cst

MATERIAL:

PARTS	Coil	Tube	Spring	Core	Plug	Diaphragm	Valve body
MATERIAL	Special copper wire (H class)	Stainless steel	Stainless steel	Stainless steel	NBR	NBR	Stainless steel



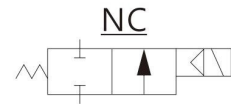
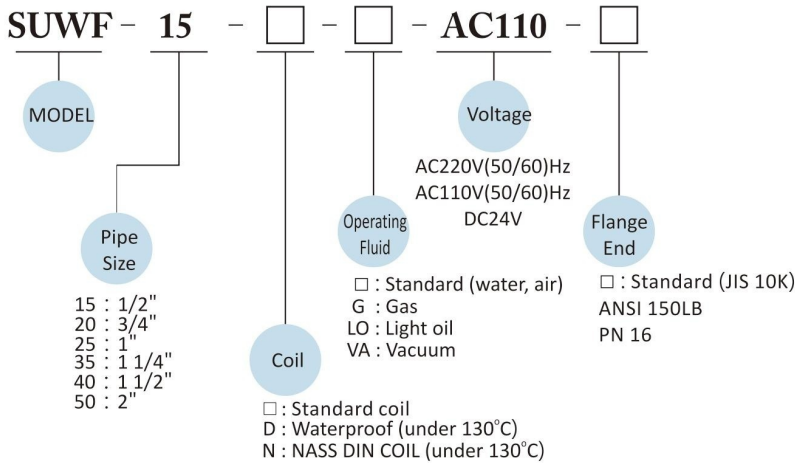
SPECIFICATION

MODEL	Waterproof DIN/flying lead Coil	NASS DIN Coil (IP65)	PIPE SIZE	CV	ORIFICE	FLUID TEMP. (°C)	Operating Pressure kgf / cm ² (bar)			High Pressure Type		vacuum Torr	Dimension (mm)			Weight (kg)
							Water	Air	Light oil	Water	Air		L	H	D	
SUW-15	●	●	1/2"	4.5	15mm	-5°C ~ +80°C	0~5	0~7	0~5	0.5~10	0.5~20	0~10 ⁻³	70	100	48	1
SUW-20	●	●	3/4"	8.6	20mm	-5°C ~ +80°C	0~5	0~7	0~5	0.5~10	0.5~20	0~10 ⁻³	76	100	48	1.1
SUW-25	●	●	1"	12	25mm	-5°C ~ +80°C	0~5	0~7	0~5	0.5~10	0.5~20	0~10 ⁻³	100	115	48	1.65
SUW-35	●	●	1 1/4"	24	35mm	-5°C ~ +80°C	0~5	0~7	0~5	0.5~10	0.5~20	0~10 ⁻³	123	112	48	2.33
SUW-40	●	●	1 1/2"	28	40mm	-5°C ~ +80°C	0~5	0~7	0~5	0.5~10	0.5~20	0~10 ⁻³	123	112	48	2.54
SUW-50	●	●	2"	48	50mm	-5°C ~ +80°C	0~5	0~7	0~5	0.5~10	0.5~20	0~10 ⁻³	167	125	48	4.59

● High Pressure Type Use N/O Coil

SUWF-15~50

UD Series



PRODUCT DESCRIPTION

- SUWF series is direct, multiplex, connected diaphragm, conductive and normally closed (NC) 2/2 way solenoid valve.
- Able to be operated directly under low pressure
- Availability of fluid type: water, air, light oil, gas, vacuum
- Acceptable for customization Viton (130°C) , Silicone (130°C) and EPDM (130°C)(only 3/8"~3/4") for plug and diaphragm

CAUTIONS:

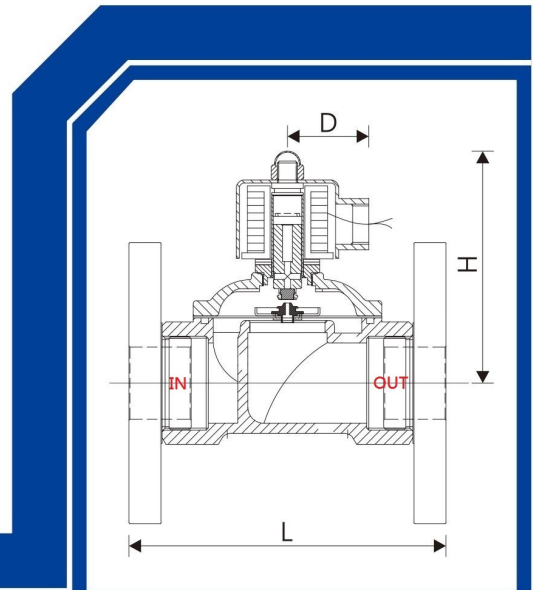
- Before pipelining, the pipe line must be very clean without any contaminants or any other things not ought to be existed.
- To prolong the life time of the product, Y-line filter should be installed in the front end of solenoid valve.
- AC voltage tolerance: ± 10%; DC voltage tolerance: ± 1%
- It should be installed horizontally; vertical installation is not advisable.

Not Suitable For Fluid As Below:

- Liquid status when it is high temperature; solid status when it is cool.
- Corrosive fluid
- Viscosity over 20cst

MATERIAL:

PARTS	Coil	Tube	Spring	Core	Plug	Diaphragm	Valve body
MATERIAL	Special copper wire (H class)	Stainless steel	Stainless steel	Stainless steel	NBR	NBR	Stainless steel

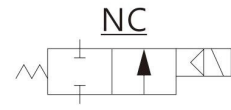
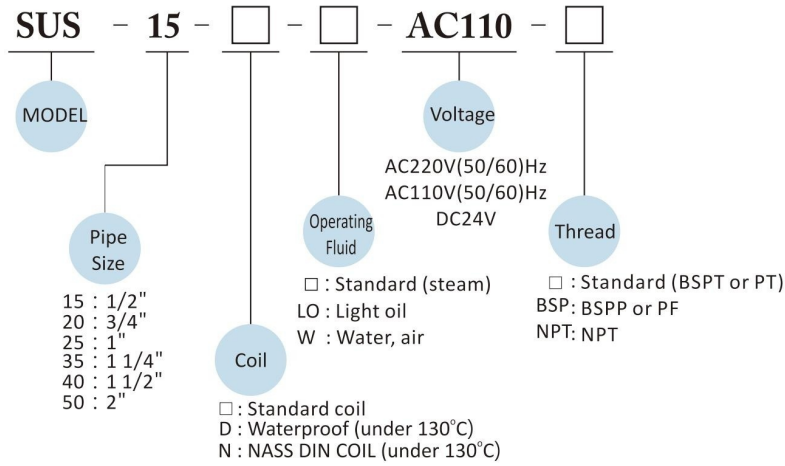


SPECIFICATION

MODEL	Waterproof DIN/flying lead Coil	NASS DIN Coil (IP65)	PIPE SIZE	CV	ORIFICE	FLUID TEMP. (°C)	Operating Pressure kgf / cm ² (bar)			High Pressure Type		vacuum Torr	Dimension (mm)			Weight (kg)
							Water	Air	Light oil	Water	Air		L	H	D	
SUWF-15	●	●	1/2"	4.5	15mm	-5°C ~ +80°C	0~5	0~7	0~5	0.5~10	0.5~20	0~10 ⁻³	100	100	48	2.2
SUWF-20	●	●	3/4"	8.6	20mm	-5°C ~ +80°C	0~5	0~7	0~5	0.5~10	0.5~20	0~10 ⁻³	120	100	48	2.5
SUWF-25	●	●	1"	12	25mm	-5°C ~ +80°C	0~5	0~7	0~5	0.5~10	0.5~20	0~10 ⁻³	150	115	48	4.1
SUWF-35	●		1 1/4"	24	35mm	-5°C ~ +80°C	0~5	0~7	0~5	0.5~10	0.5~20	0~10 ⁻³	170	112	48	6.1
SUWF-40	●		1 1/2"	28	40mm	-5°C ~ +80°C	0~5	0~7	0~5	0.5~10	0.5~20	0~10 ⁻³	170	112	48	6.7
SUWF-50	●		2"	48	50mm	-5°C ~ +80°C	0~5	0~7	0~5	0.5~10	0.5~20	0~10 ⁻³	210	125	48	9.51

● High Pressure Type Use N/O Coil

SUS-15~50



UD Series

PRODUCT DESCRIPTION

- SUS series is multiplex, pilot operated piston, conductive and normally closed (NC) 2/2 way solenoid valve.
- Availability of fluid type: water, air, steam, light oil
- Specially suitable for frequent operation

CAUTIONS:

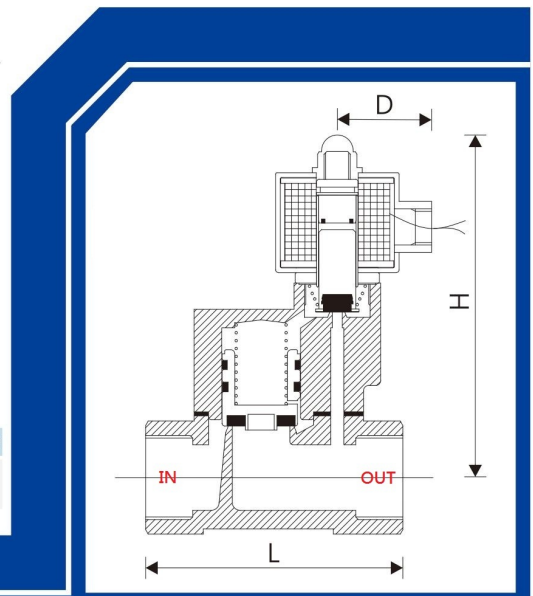
- Before pipelining, the pipe line must be very clean without any contaminants or any other things not ought to be existed.
- To prolong the life time of the product, Y-line filter should be installed in the front end of solenoid valve.
- AC voltage tolerance: ± 10%; DC voltage tolerance: ± 1%
- It should be installed horizontally; vertical installation is not advisable.

Not Suitable For Fluid As Below:

- Liquid status when it is high temperature; solid status when it is cool.
- Corrosive fluid
- Viscosity over 20cst

MATERIAL:

PARTS	Coil	Tube	Spring	Core	Plug	Piston Spring	Piston	Piston plug	Valve body
MATERIAL	Special copper wire (H class)	Stainless steel	Stainless steel	Stainless steel	PTFE	Stainless steel	Stainless steel	PTFE	Stainless steel

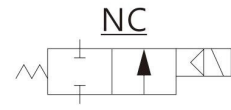
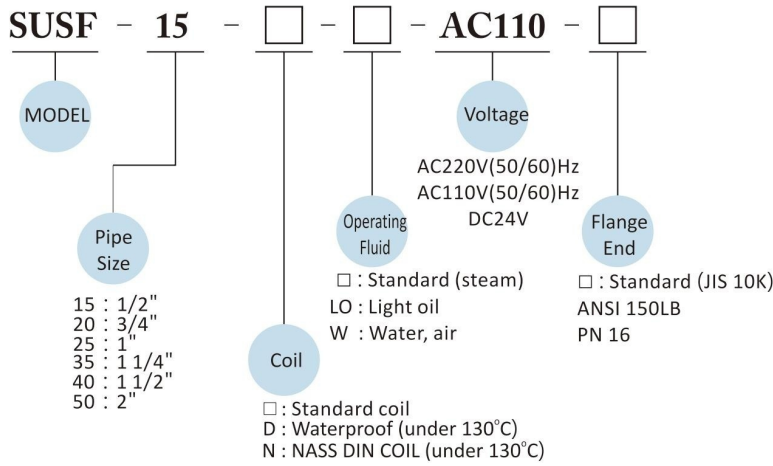


SPECIFICATION

MODEL	Waterproof DIN/flying lead Coil	NASS DIN Coil (IP65)	PIPE SIZE	CV	ORIFICE	FLUID TEMP. (°C)	Operating Pressure kgf / cm ² (bar)					Dimension (mm)			Weight (kg)
							Water	Air	Steam	Light oil	Gas	L	H	D	
SUS-15	●	●	1/2"	4.0	17mm	-5°C ~ +185°C	0.5~10	0.5~10	0.5~10	0.5~10		84	115	48	1.38
SUS-20	●	●	3/4"	6.0	17mm	-5°C ~ +185°C	0.5~10	0.5~10	0.5~10	0.5~10		84	120	48	1.43
SUS-25	●	●	1"	12	22mm	-5°C ~ +185°C	0.5~10	0.5~10	0.5~10	0.5~10		98	132	48	1.88
SUS-35	●	●	1 1/4"	18	30mm	-5°C ~ +185°C	1~10	1~10	1~10	1~10		123	142	48	2.62
SUS-40	●	●	1 1/2"	22	30mm	-5°C ~ +185°C	1~10	1~10	1~10	1~10		123	146	48	2.72
SUS-50	●	●	2"	48	50mm	-5°C ~ +185°C	1~10	1~10	1~10	1~10		167	173	48	5.45

SUSF-15~50

UD Series



PRODUCT DESCRIPTION

- SUSF series is multiplex, pilot operated piston, conductive and normally closed (NC) 2/2 way solenoid valve.
- Availability of fluid type: water, air, steam, light oil
- Specially suitable for frequent operation

CAUTIONS:

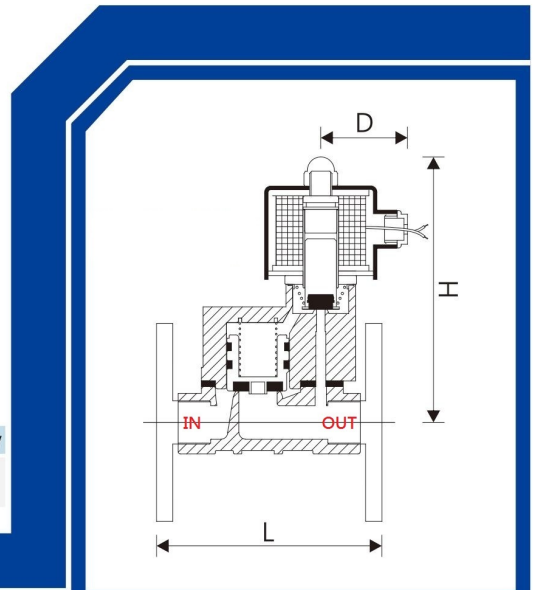
- Before pipelining, the pipe line must be very clean without any contaminants or any other things not ought to be existed.
- To prolong the life time of the product, Y-line filter should be installed in the front end of solenoid valve.
- AC voltage tolerance: ± 10%; DC voltage tolerance: ± 1%
- It should be installed horizontally; vertical installation is not advisable.

Not Suitable For Fluid As Below:

- Liquid status when it is high temperature; solid status when it is cool.
- Corrosive fluid
- Viscosity over 20cst

MATERIAL:

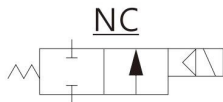
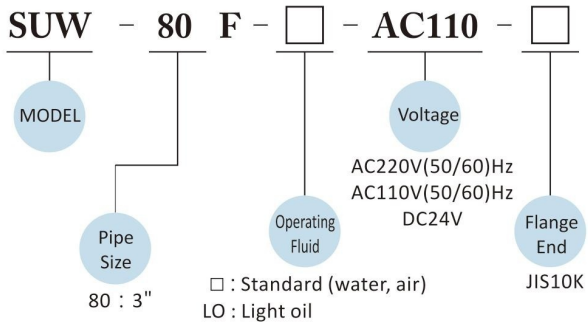
PARTS	Coil	Tube	Spring	Core	Plug	Piston Spring	Piston	Piston plug	Valve body
MATERIAL	Special copper wire (H class)	Stainless steel	Stainless steel	Stainless steel	PTFE	Stainless steel	Stainless steel	PTFE	Stainless steel



SPECIFICATION

MODEL	Waterproof DIN/flying lead Coil	NASS DIN Coil (IP65)	PIPE SIZE	CV	ORIFICE	FLUID TEMP. (°C)	Operating Pressure kgf / cm ² (bar)					Dimension (mm)			Weight (kg)
							Water	Air	Steam	Light oil	Gas	L	H	D	
SUSF-15	●	●	1/2"	4.0	17mm	-5°C ~ +185°C	0.5~10	0.5~10	0.5~10	0.5~10		120	115	48	2.5
SUSF-20	●	●	3/4"	6.0	17mm	-5°C ~ +185°C	0.5~10	0.5~10	0.5~10	0.5~10		120	120	48	3
SUSF-25	●	●	1"	12	22mm	-5°C ~ +185°C	0.5~10	0.5~10	0.5~10	0.5~10		157	132	48	4.3
SUSF-35	●	●	1 1/4"	18	30mm	-5°C ~ +185°C	1~10	1~10	1~10	1~10		170	142	48	5.6
SUSF-40	●	●	1 1/2"	22	30mm	-5°C ~ +185°C	1~10	1~10	1~10	1~10		170	146	48	6.1
SUSF-50	●	●	2"	48	50mm	-5°C ~ +185°C	1~10	1~10	1~10	1~10		210	173	48	9.6

SUW-80F



UD Series

PRODUCT DESCRIPTION

- SUW-F series is multiplex, pilot operated piston, conductive and normally closed (NC) 2/2 way solenoid valve.
- Availability of fluid type: water, air, light oil

CAUTIONS:

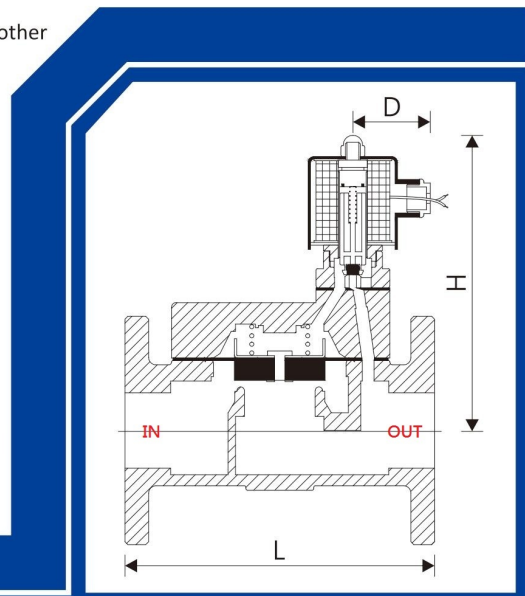
- Minimum pressure to open: over 0.5kgf-cm²
- Before pipelining, the pipe line must be very clean without any contaminants or any other things not ought to be existed.
- To prolong the life time of the product, Y-line filter should be installed in the front end of solenoid valve.
- AC voltage tolerance: ± 10%; DC voltage tolerance: ± 1%
- It should be installed horizontally; vertical installation is not advisable..

Not Suitable For Fluid As Below:

- Liquid status when it is high temperature; solid status when it is cool.
- Corrosive fluid
- Viscosity over 20cst

MATERIAL:

PARTS	Coil	Tube	Spring	Core	Plug	Diaphragm	Valve body
MATERIAL	Special copper wire (H class)	Stainless steel	Stainless steel	Stainless steel	NBR	NBR	Stainless steel

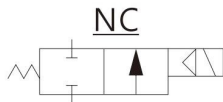
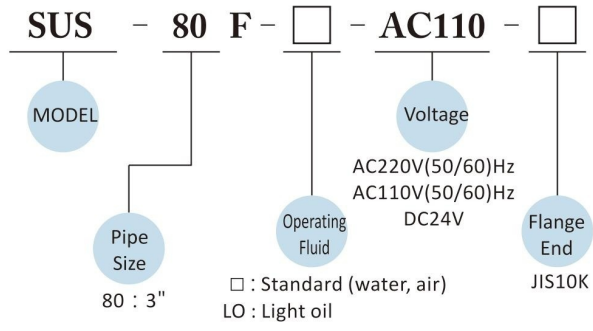


SPECIFICATION

MODEL	Waterproof DIN/flying lead Coil	NASS DIN Coil (IP65)	PIPE SIZE	CV	ORIFICE	FLUID TEMP. (°C)	Operating Pressure kgf / cm ² (bar)					Dimension (mm)			Weight (kg)
							Water	Air	Steam	Light oil	Gas	L	H	D	
SUW-80F			3"	100	80mm	-5°C ~ +80°C	0.5~8	0.5~8		0.5~5		240	188	58	15.9

SUS-80F

UD Series



PRODUCT DESCRIPTION

- SUS-F series is multiplex, pilot operated piston, conductive and normally closed (NC) 2/2 way solenoid valve.
- Availability of fluid type: water, air, light oil

CAUTIONS:

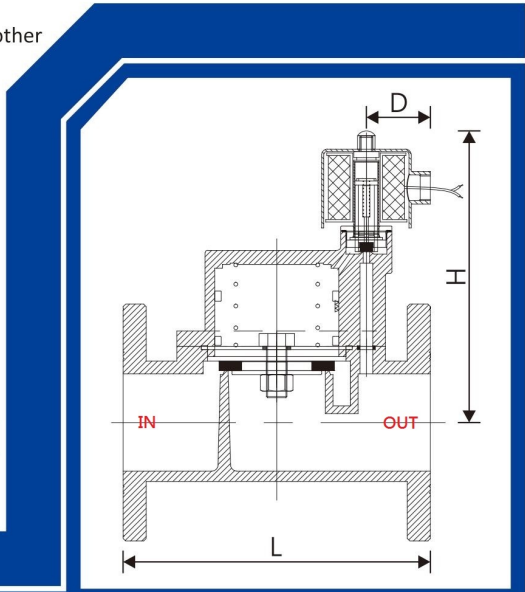
- Minimum pressure to open: over 1kgf-cm²
- Before pipelining, the pipe line must be very clean without any contaminants or any other things not ought to be existed.
- To prolong the life time of the product, Y-line filter should be installed in the front end of solenoid valve.
- AC voltage tolerance: ± 10%; DC voltage tolerance: ± 1%
- It should be installed horizontally; vertical installation is not advisable.

Not Suitable For Fluid As Below:

- Liquid status when it is high temperature; solid status when it is cool.
- Corrosive fluid
- Viscosity over 20cst

MATERIAL:

PARTS	Coil	Tube	Spring	Core	Plug	Piston Spring	Piston	Piston plug	Valve body
MATERIAL	Special copper wire (H class)	Stainless steel	Stainless steel	Stainless steel	PTFE	Stainless steel	Stainless steel	PTFE	Stainless steel



SPECIFICATION

MODEL	Waterproof DIN/flying lead Coil	NASS DIN Coil (IP65)	PIPE SIZE	CV	ORIFICE	FLUID TEMP. (°C)	Operating Pressure kgf / cm ² (bar)					Dimension (mm)			Weight (kg)
							Water	Air	Steam	Light oil	Gas	L	H	D	
SUS-80F			3"	100	80mm	-5°C ~ +185°C	1~10	1~10	1~10	1~10		240	232	58	19.9