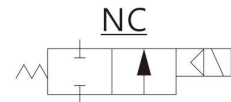
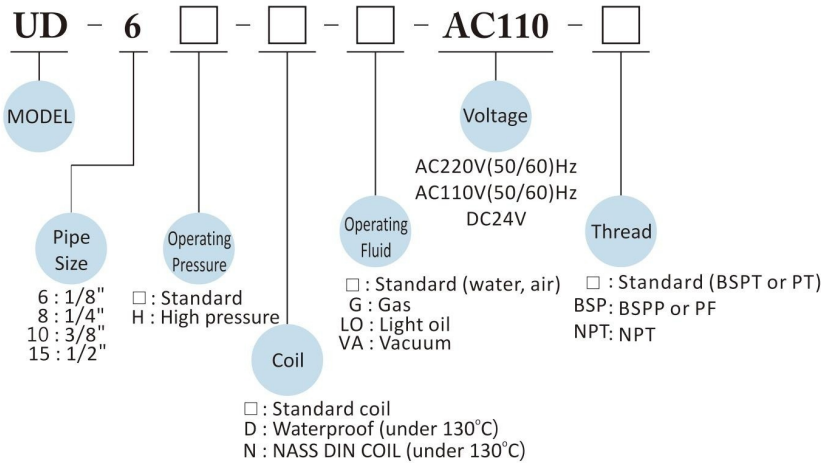


# UD-6~15

UD Series



### PRODUCT DESCRIPTION

- UD series is direct-acting, conductive, and normally closed (NC) 2/2 way solenoid valve.
- Able to be operated directly without pressure
- Availability of fluid type: water, air, light oil, gas, vacuum
- Acceptable for customization: Viton (130°C), Silicone (130°C) and EPDM (130°C)

### CAUTIONS:

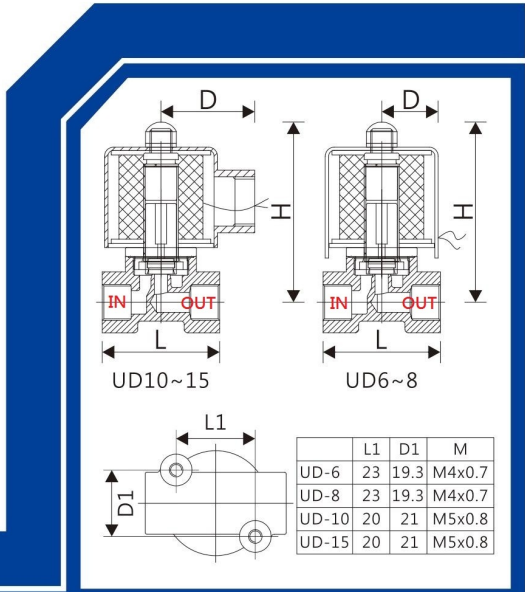
- Before pipelining, the pipe line must be very clean without any contaminants or any other things not ought to be existed.
- To prolong the life time of the product, Y-line filter should be installed in the front end of solenoid valve.
- AC voltage tolerance: ± 10%; DC voltage tolerance: ± 1%
- It should be installed horizontally; vertical installation is not advisable.

### Not Suitable For Fluid As Below:

- Liquid status when it is high temperature; solid status when it is cool.
- Corrosive fluid
- Viscosity over 20cst

### MATERIAL:

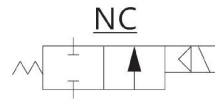
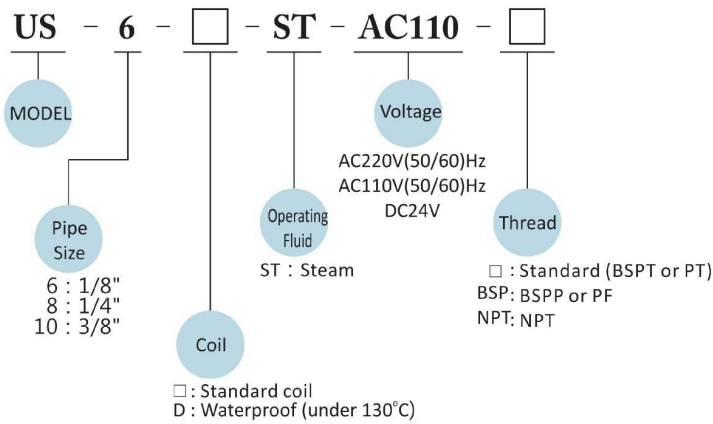
PARTS	Coil	Tube	Spring	Core	Plug	O-ring	Valve body
MATERIAL	Special copper wire (H class)	Stainless steel	Stainless steel	Stainless steel	NBR (Viton, Silicone)	NBR	Forged Brass



### SPECIFICATION

MODEL	Waterproof DIN/flying lead Coil	NASS DIN Coil (IP65)	PIPE SIZE	CV	ORIFICE	FLUID TEMP. (°C)	Operating Pressure kgf / cm <sup>2</sup> (bar)					Vacuum (Torr)	Dimension (mm)			Weight (kg)
							Water	Air	Steam	Light oil	Gas		L	H	D	
UD-6	●		1/8"	0.23	2.5mm	-5°C ~ +80°C	0~7	0~7		0~7	0~7	0~10 <sup>-3</sup>	41	66	21.5	0.32
UD-8	●		1/4"	0.23	2.5mm	-5°C ~ +80°C	0~7	0~7		0~7	0~7	0~10 <sup>-3</sup>	41	66	21.5	0.31
UD-8	●		1/4"	0.58	4mm	-5°C ~ +80°C	0~3	0~3		0~3	0~3	0~10 <sup>-3</sup>	41	66	21.5	0.31
UD-8			1/4"	0.79	6mm	-5°C ~ +80°C	0~1	0~1		0~1	0~1	0~10 <sup>-3</sup>	41	66	21.5	0.31
UD-8H			1/4"	0.18	1.2mm	-5°C ~ +130°C	0~20	0~20		0~20	0~20	0~10 <sup>-3</sup>	41	66	21.5	0.31
UD-10	●	●	3/8"	0.58	4mm	-5°C ~ +80°C	0~10	0~10		0~10	0~10	0~10 <sup>-3</sup>	53	75	48	0.53
UD-10			3/8"	0.79	8mm	-5°C ~ +80°C	0~3	0~3		0~3	0~3	0~10 <sup>-3</sup>	53	90	48	0.65
UD-10H	●		3/8"	0.45	2mm	-5°C ~ +130°C	0~20	0~20		0~20	0~20	0~10 <sup>-3</sup>	53	75	48	0.54
UD-15			1/2"	0.58	8mm	-5°C ~ +80°C	0~3	0~5		0~3	0~5	0~10 <sup>-3</sup>	53	90	48	0.64

# US-6~10



UD Series

## PRODUCT DESCRIPTION

- US series is direct-acting, conductive, and normally closed (NC) 2/2 way solenoid valve.
- Able to be operated directly without pressure
- Material PTFE is suitable for steam.

## CAUTIONS:

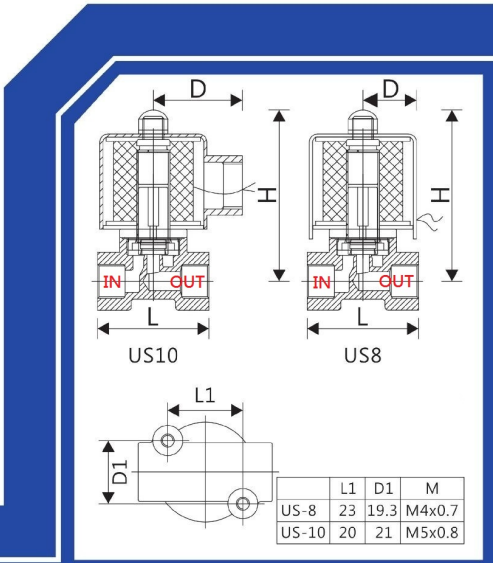
- Before pipelining, the pipe line must be very clean without any contaminants or any other things not ought to be existed.
- To prolong the life time of the product, Y-line filter should be installed in the front end of solenoid valve.
- The temperature of steam should not over 185°C
- AC voltage tolerance: ± 10%; DC voltage tolerance: ± 1%
- It should be installed horizontally; vertical installation is not advisable.

## Not Suitable For Fluid As Below:

- Liquid status when it is high temperature; solid status when it is cool.
- Corrosive fluid
- Viscosity over 50cst

## MATERIAL:

PARTS	Coil	Tube	Spring	Core	Plug	O-ring	Valve body
MATERIAL	Special copper wire (H class)	Stainless steel	Stainless steel	Stainless steel	PTFE	PTFE	Forged Brass

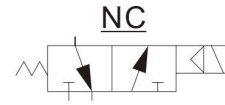
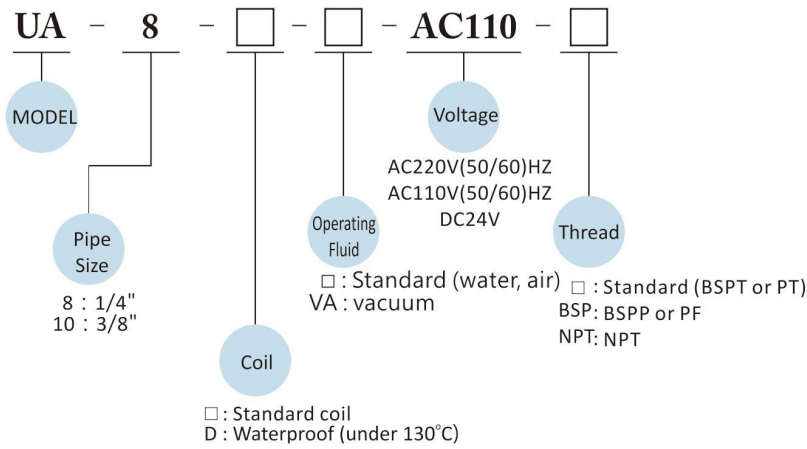


## SPECIFICATION

MODEL	Waterproof DIN/flying lead Coil	NASS DIN Coil (IP65)	PIPE SIZE	CV	ORIFICE	FLUID TEMP. (°C)	Operating Pressure kgf / cm <sup>2</sup> (bar)					Vacuum (Torr)	Dimension (mm)			Weight (kg)
							Water	Air	Steam	Light oil	Gas		L	H	D	
US-6	●		1/8"	0.23	2.5mm	-5°C ~ +185°C			0~7	0~7			41	66	21.5	0.32
US-8	●		1/4"	0.23	2.5mm	-5°C ~ +185°C			0~7	0~7			41	66	21.5	0.32
US-10	●		3/8"	0.23	4.0mm	-5°C ~ +185°C			0~10	0~10			53	75	48	0.54

# UA-8~10

UD Series



### PRODUCT DESCRIPTION

- UA series is direct-acting, conductive, and normally closed (NC) 3/2 way solenoid valve.
- Availability of fluid type: water, air, vacuum
- Able to be operated directly without pressure
- Applicable for exhausting facility, ex: Air cylinder after power-off
- Acceptable for customization- Viton (130°C) plug

### CAUTIONS:

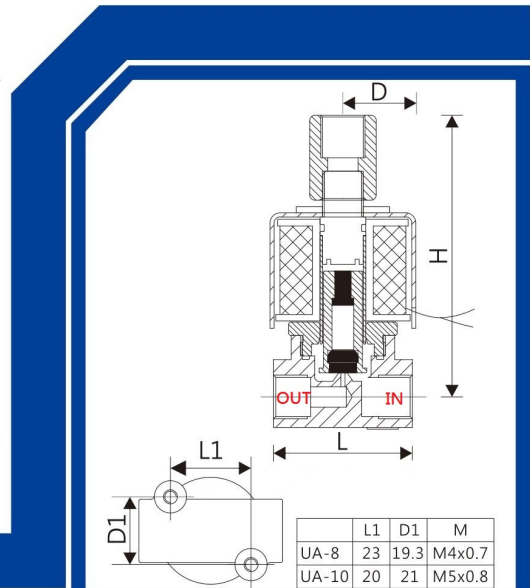
- Before pipelining, the pipe line must be very clean without any contaminants or any other things not ought to be existed.
- To prolong the life time of the product, Y-line filter should be installed in the front end of solenoid valve.
- AC voltage tolerance: ± 10%; DC voltage tolerance: ± 1%
- It should be installed horizontally; vertical installation is not advisable.

### Not Suitable For Fluid As Below:

- Liquid status when it is high temperature; solid status when it is cool.
- Corrosive fluid
- Viscosity over 20cst

### MATERIAL:

PARTS	Coil	Tube	Spring	Core	Plug	O-ring	Valve body
MATERIAL	Special copper wire (H class)	Stainless steel	Stainless steel	Stainless steel	NBR (Viton, Silicone, PTFE)	NBR (PTFE)	Forged Brass

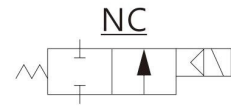
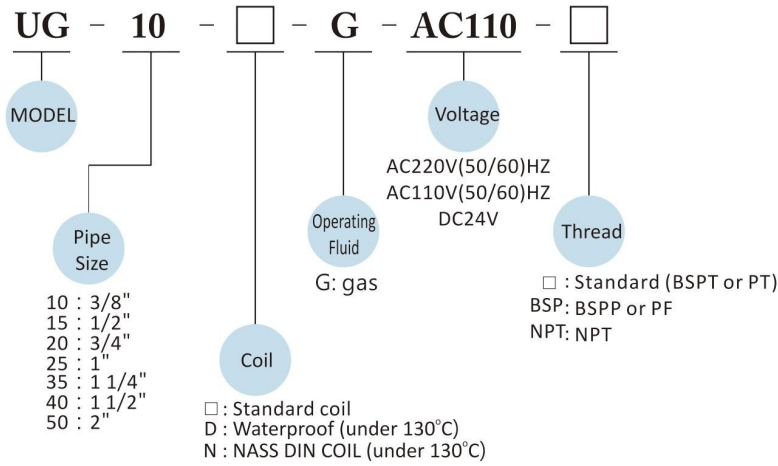


### SPECIFICATION

MODEL	Waterproof DIN/flying lead Coil	NASS DIN Coil (IP65)	PIPE SIZE	CV	ORIFICE	FLUID TEMP. (°C)	Operating Pressure kgf / cm <sup>2</sup> (bar)					Vacuum (Torr)	Dimension (mm)			Weight (kg)
							Water	Air	Steam	Light oil	Gas		L	H	D	
UA-8			1/4"	0.1	1.2mm	-5°C ~ +80°C	0~10	0~10				0~10 <sup>-3</sup>	41	87	21.5	0.38
UA-10	●		3/8"	0.12	1.5mm	-5°C ~ +80°C	0~10	0~10				0~10 <sup>-3</sup>	53	93	48	0.57

# UG-10~50

UD Series



## PRODUCT DESCRIPTION

- UG series is direct, multiplex, connected diaphragm, conductive and normally closed (NC) 2/2 way solenoid valve.
- Able to be operated directly without pressure
- Availability of fluid type: gas

## CAUTIONS:

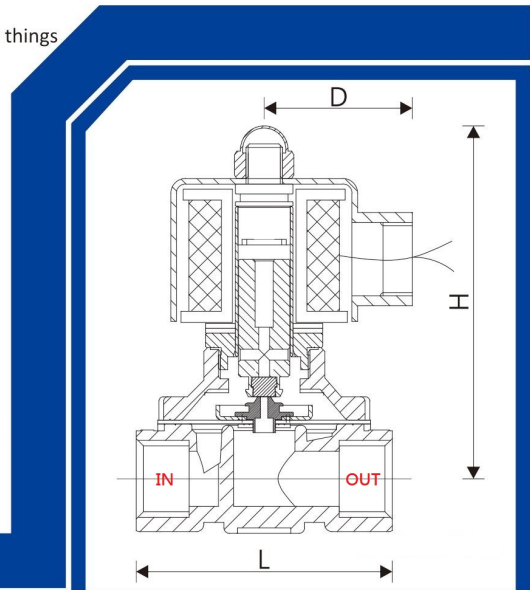
- Before pipelining, the pipe line must be very clean without any contaminants or any other things not ought to be existed.
- To prolong the life time of the product, Y-line filter should be installed in the front end of solenoid valve.
- AC voltage tolerance: ± 10%; DC voltage tolerance: ± 1%
- It should be installed horizontally; vertical installation is not advisable.

## Not Suitable For Fluid As Below:

- Liquid status when it is high temperature; solid status when it is cool.
- Corrosive fluid
- Viscosity over 20cst

## MATERIAL:

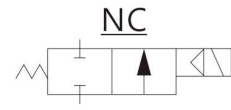
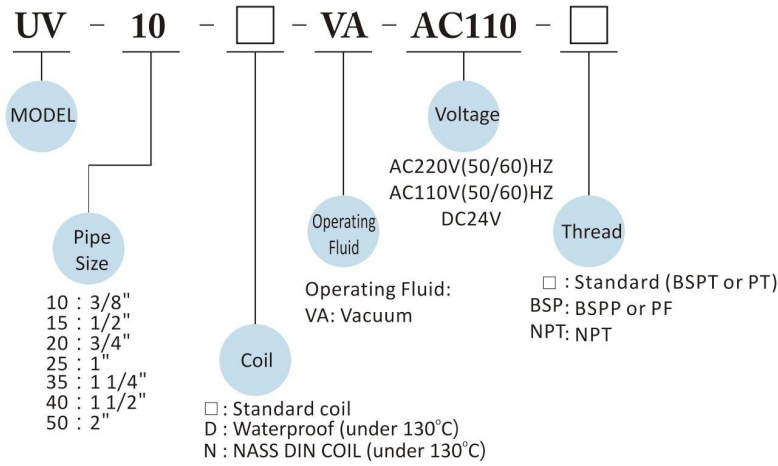
PARTS	Coil	Tube	Spring	Core	Plug	Diaphragm	Valve body
MATERIAL	Special copper wire (H class)	Stainless steel	Stainless steel	Stainless steel	NBR	NBR	Forged Brass



## SPECIFICATION

MODEL	Waterproof DIN/flying lead Coil	NASS DIN Coil (IP65)	PIPE SIZE	CV	ORIFICE	FLUID TEMP. (°C)	Operating Pressure kgf / cm <sup>2</sup> (bar)					Dimension (mm)			Weight (kg)
							Water	Air	Wteam	Light oil	Gas	L	H	D	
UG-10	●	●	3/8"	4.5	15mm	-5°C ~ +80°C					0~7	70	100	48	1.01
UG-15	●	●	1/2"	4.5	15mm	-5°C ~ +80°C					0~7	70	100	48	1
UG-20	●	●	3/4"	8.6	20mm	-5°C ~ +80°C					0~7	73	102	48	1.13
UG-25	●	●	1"	12	25mm	-5°C ~ +80°C					0~7	100	112	48	1.7
UG-35	●	●	1 1/4"	24	35mm	-5°C ~ +80°C					0~7	125	113	48	2.32
UG-40	●	●	1 1/2"	28	40mm	-5°C ~ +80°C					0~7	125	118	48	2.53
UG-50	●	●	2"	48	50mm	-5°C ~ +80°C					0~7	167	125	48	4.32

# UV-10~50



UD Series

## PRODUCT DESCRIPTION

- UV series is direct, multiplex, connected diaphragm, conductive and normally closed (NC) 2/2 way solenoid valve.
- Able to be operated directly without pressure
- Availability of fluid type: vacuum

## CAUTIONS:

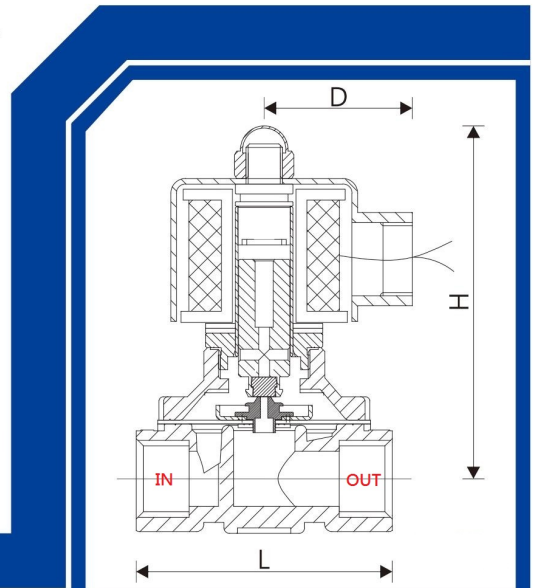
- Before pipelining, the pipe line must be very clean without any contaminants or any other things not ought to be existed.
- To prolong the life time of the product, Y-line filter should be installed in the front end of solenoid valve.
- AC voltage tolerance: ± 10%; DC voltage tolerance: ± 1%
- It should be installed horizontally; vertical installation is not advisable.

## Not Suitable For Fluid As Below:

- Liquid status when it is high temperature; solid status when it is cool.
- Corrosive fluid
- Viscosity over 20cst

## MATERIAL:

PARTS	Coil	Tube	Spring	Core	Plug	Diaphragm	Valve body
MATERIAL	Special copper wire (H class)	Stainless steel	Stainless steel	Stainless steel	NBR	NBR	Forged Brass

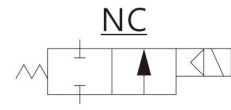
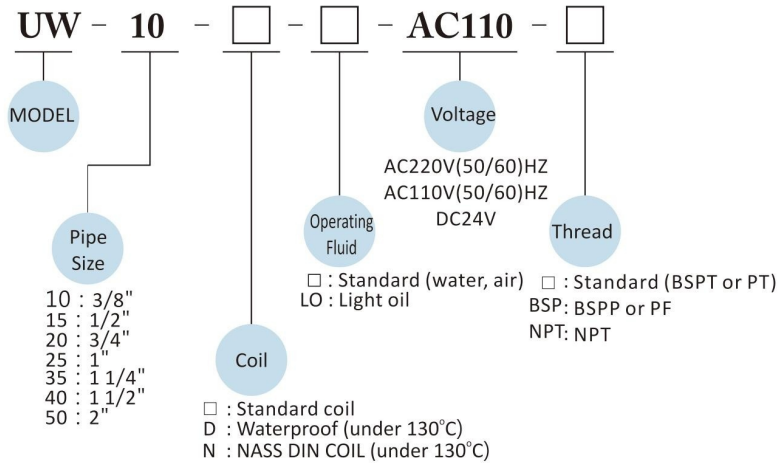


## SPECIFICATION

MODEL	Waterproof DIN/flying lead Coil	NASS DIN Coil (IP65)	PIPE SIZE	CV	ORIFICE	FLUID TEMP. (°C)	Operating Pressure kgf / cm <sup>2</sup> (bar)					Vacuum (Torr)	Dimension (mm)			Weight (kg)
							Water	Air	Steam	Light oil	Gas		L	H	D	
UV-10	●	●	3/8"	4.5	15mm	-5°C ~ +80°C						0~10 <sup>-3</sup>	70	100	48	1.01
UV-15	●	●	1/2"	4.5	15mm	-5°C ~ +80°C						0~10 <sup>-3</sup>	70	100	48	1
UV-20	●	●	3/4"	8.6	20mm	-5°C ~ +80°C						0~10 <sup>-3</sup>	73	102	48	1.13
UV-25	●	●	1"	12	25mm	-5°C ~ +80°C						0~10 <sup>-3</sup>	100	112	48	1.7
UV-35	●	●	1 1/4"	24	35mm	-5°C ~ +80°C						0~10 <sup>-3</sup>	125	113	48	2.32
UV-40	●	●	1 1/2"	28	40mm	-5°C ~ +80°C						0~10 <sup>-3</sup>	125	118	48	2.53
UV-50	●	●	2"	48	50mm	-5°C ~ +80°C						0~10 <sup>-3</sup>	167	125	48	4.32

# UW-10~50

UD Series



## PRODUCT DESCRIPTION

- UW series is direct, multiplex, connected diaphragm, conductive and normally closed (NC) 2/2 way solenoid valve.
- Able to be operated directly under low pressure
- Availability of fluid type: water, air, light oil
- Acceptable for customization Viton (130°C), Silicone (130°C) and EPDM (130°C)

## CAUTIONS:

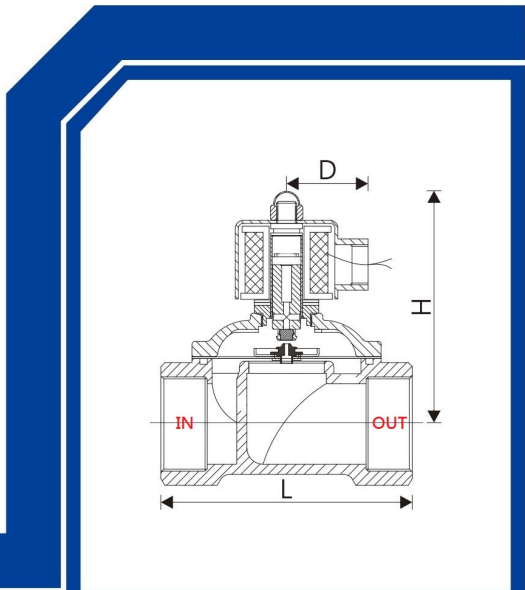
- Before pipelining, the pipe line must be very clean without any contaminants or any other things not ought to be existed.
- To prolong the life time of the product, Y-line filter should be installed in the front end of solenoid valve.
- AC voltage tolerance: ± 10%; DC voltage tolerance: ± 1%
- It should be installed horizontally; vertical installation is not advisable.

## Not Suitable For Fluid As Below:

- Liquid status when it is high temperature; solid status when it is cool.
- Corrosive fluid
- Viscosity over 20cst

## MATERIAL:

PARTS	Coil	Tube	Spring	Core	Plug	Diaphragm	Valve body
MATERIAL	Special copper wire (H class)	Stainless steel	Stainless steel	Stainless steel	NBR	NBR	Forged Brass

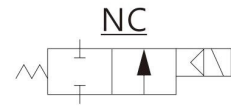
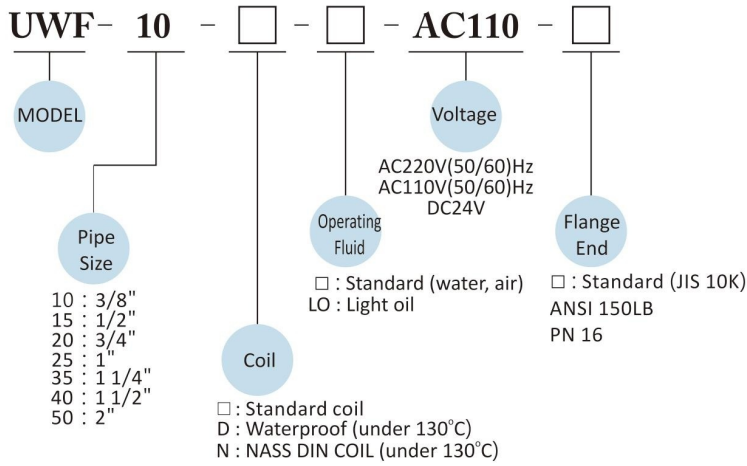


## SPECIFICATION

MODEL	Waterproof DIN/flying lead Coil	NASS DIN Coil (IP65)	PIPE SIZE	CV	ORIFICE	FLUID TEMP. (°C)	Operating Pressure kgf / cm <sup>2</sup> (bar)			High Pressure Type		Dimension (mm)			Weight (kg)
							Water	Air	Light oil	Water	Air	L	H	D	
UW-10	●	●	3/8"	4.5	15mm	-5°C ~ +80°C	0~5	0~7	0~5	0.5~10	0.5~20	70	100	48	1.01
UW-15	●	●	1/2"	4.5	15mm	-5°C ~ +80°C	0~5	0~7	0~5	0.5~10	0.5~20	70	100	48	1
UW-20	●	●	3/4"	8.6	20mm	-5°C ~ +80°C	0~5	0~7	0~5	0.5~10	0.5~20	73	107	48	1.14
UW-25	●	●	1"	12	25mm	-5°C ~ +80°C	0~5	0~7	0~5	0.5~10	0.5~20	100	112	48	1.7
UW-35	●	●	1 1/4"	24	35mm	-5°C ~ +80°C	0~5	0~7	0~5	0.5~10	0.5~20	125	113	48	2.32
UW-40	●	●	1 1/2"	28	40mm	-5°C ~ +80°C	0~5	0~7	0~5	0.5~10	0.5~20	125	118	48	2.53
UW-50	●	●	2"	48	50mm	-5°C ~ +80°C	0~5	0~7	0~5	0.5~10	0.5~20	167	125	48	4.32

● High Pressure Type Use N/O Coil

# UWF-10~50



UD Series

## PRODUCT DESCRIPTION

- Acceptable for customization Viton (130°C) , Silicone (130°C) and EPDM (130°C)

## CAUTIONS:

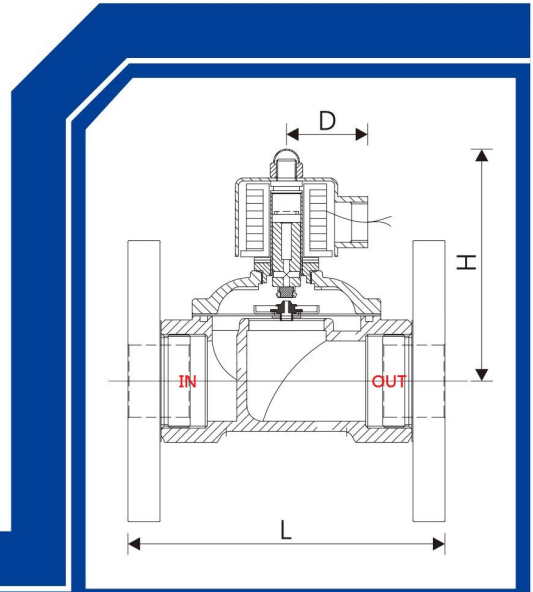
- Before pipelining, the pipe line must be very clean without any contaminants or any other things not ought to be existed.
- To prolong the life time of the product, Y-line filter should be installed in the front end of solenoid valve.
- AC voltage tolerance: ± 10%; DC voltage tolerance: ± 1%
- It should be installed horizontally; vertical installation is not advisable.

## Not Suitable For Fluid As Below:

- Liquid status when it is high temperature; solid status when it is cool.
- Corrosive fluid
- Viscosity over 20cst

## MATERIAL:

PARTS	Coil	Tube	Spring	Core	Plug	Diaphragm	Valve body
MATERIAL	Special copper wire (H class)	Stainless steel	Stainless steel	Stainless steel	NBR	NBR	Forged Brass

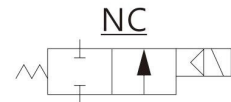
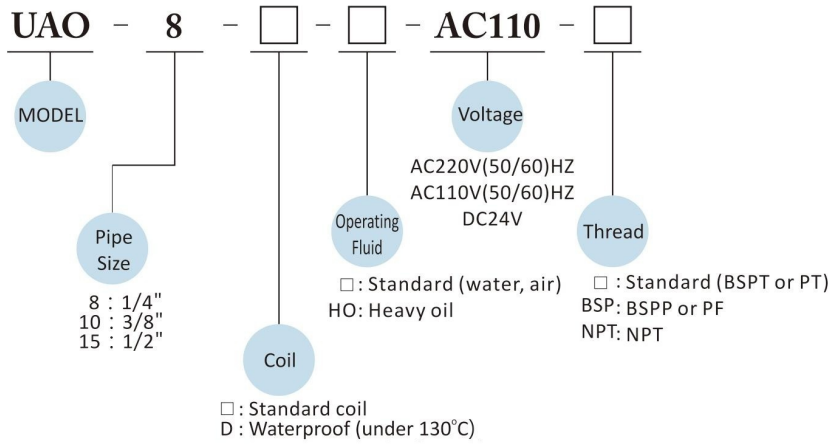


## SPECIFICATION

MODEL	Waterproof DIN/flying lead Coil	NASS DIN Coil (IP65)	PIPE SIZE	CV	ORIFICE	FLUID TEMP. (°C)	Operating Pressure kgf / cm <sup>2</sup> (bar)			High Pressure Type		Dimension (mm)			Weight (kg)
							Water	Air	Light oil	Water	Air	L	H	D	
UWF-10	●	●	3/8"	2.4	15mm	-5°C ~ +80°C	0~5	0~7	0~5	0.5~10	0.5~20	100	100	48	2.12
UWF-15	●	●	1/2"	4.5	15mm	-5°C ~ +80°C	0~5	0~7	0~5	0.5~10	0.5~20	110	100	48	2.12
UWF-20	●	●	3/4"	8.6	20mm	-5°C ~ +80°C	0~5	0~7	0~5	0.5~10	0.5~20	110	107	48	2.63
UWF-25	●	●	1"	12	25mm	-5°C ~ +80°C	0~5	0~7	0~5	0.5~10	0.5~20	150	112	48	4.1
UWF-35	●		1 1/4"	24	35mm	-5°C ~ +80°C	0~5	0~7	0~5	0.5~10	0.5~20	170	113	48	5.9
UWF-40	●		1 1/2"	28	40mm	-5°C ~ +80°C	0~5	0~7	0~5	0.5~10	0.5~20	170	118	48	6.4
UWF-50	●		2"	48	50mm	-5°C ~ +80°C	0~5	0~7	0~5	0.5~10	0.5~20	210	125	48	9.2

● High Pressure Type Use N/O Coil

# UAO-8~15



UD Series

## PRODUCT DESCRIPTION

- UAO series is multiplex, pilot operated piston, conductive, and normally closed (NC) 2/2 way solenoid valve.
- Availability of fluid type: water, air, heavy oil
- Specially suitable for frequent operation
- Applicable for sand blasting equipment and high-pressured air and oil injection system.

## CAUTIONS:

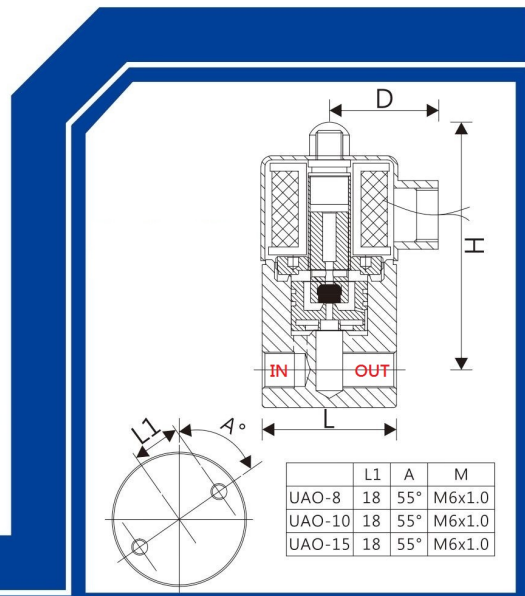
- Minimum pressure to open: over 0.5kgf-cm<sup>2</sup>
- Before pipelining, the pipe line must be very clean without any contaminants or any other things not ought to be existed.
- To prolong the life time of the product, Y-line filter should be installed in the front end of solenoid valve.
- AC voltage tolerance: ± 10%; DC voltage tolerance: ± 1%
- It should be installed horizontally; vertical installation is not advisable.

## Not Suitable For Fluid As Below:

- Liquid status when it is high temperature; solid status when it is cool.
- Corrosive fluid
- Viscosity over 50cst

## MATERIAL:

PARTS	Coil	Tube	Spring	Core	Plug	Piston	Piston plug	Valve body
MATERIAL	Special copper wire (H class)	Stainless steel	Stainless steel	Stainless steel	NBR VITON	Brass	NBR	Brass



## SPECIFICATION

MODEL	Waterproof DIN/flying lead Coil	NASS DIN Coil (IP65)	PIPE SIZE	CV	ORIFICE	FLUID TEMP. (°C)	Operating Pressure kgf / cm <sup>2</sup> (bar)					Dimension (mm)			Weight (kg)
							Water	Air	Steam	Light oil	Gas	L	H	D	
UAO-8	●		1/4"	2.5	10mm	-5°C ~ +80°C	0.5~15	0.5~15		0.5~15		50	95	48	1.13
UAO-10	●		3/8"	2.5	10mm	-5°C ~ +80°C	0.5~15	0.5~15		0.5~15		50	95	48	1.1
UAO-15	●		1/2"	2.5	10mm	-5°C ~ +80°C	0.5~15	0.5~15		0.5~15		54	100	48	1.23