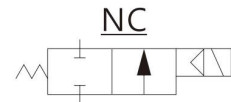
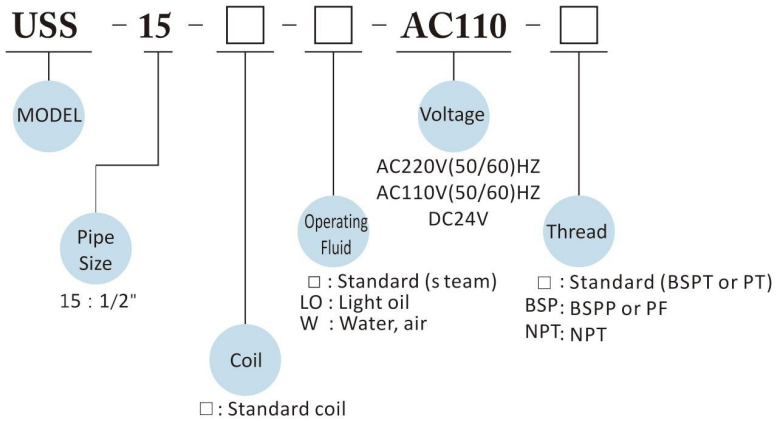


USS-15

UD Series



PRODUCT DESCRIPTION

- USS series is direct-acting, pilot operated piston, conductive, and normally closed (NC) 2/2 way solenoid valve.
- Specially suitable for frequent operation
- Availability of fluid type: water, air, steam, light oil

CAUTIONS:

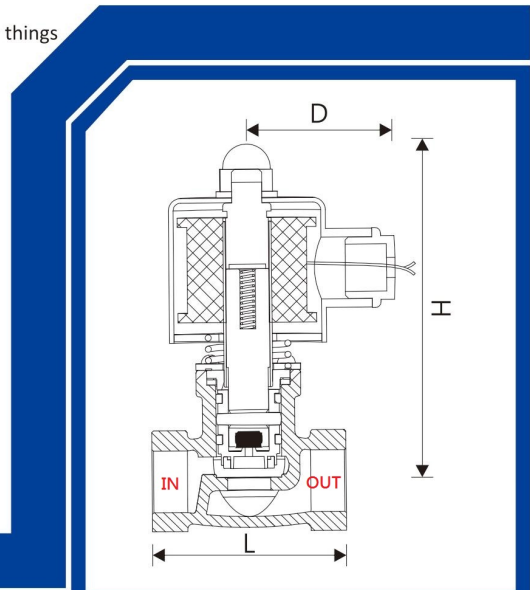
- Before pipelining, the pipe line must be very clean without any contaminants or any other things not ought to be existed.
- To prolong the life time of the product, Y-line filter should be installed in the front end of solenoid valve.
- The temperature of steam should not over 185°C
- AC voltage tolerance: ± 10%; DC voltage tolerance: ± 1%
- It should be installed horizontally; vertical installation is not advisable.

Not Suitable For Fluid As Below:

- Liquid status when it is high temperature; solid status when it is cool.
- Corrosive fluid
- Viscosity over 50cst

MATERIAL:

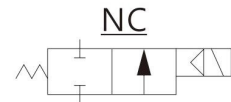
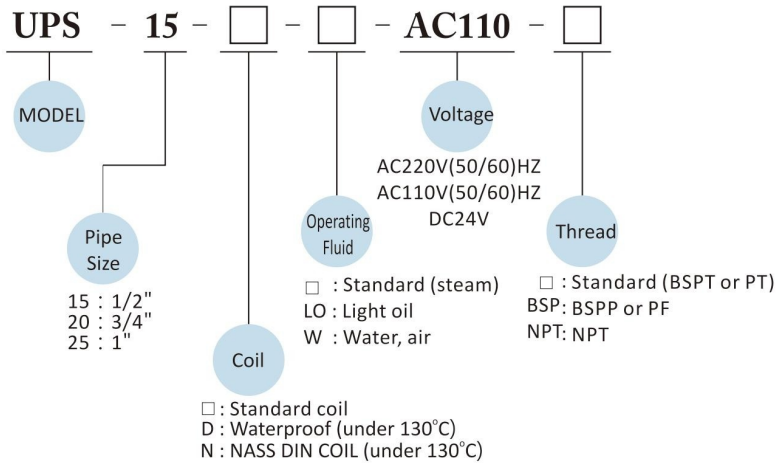
PARTS	Coil	Tube	Spring	Core	Plug	Piston	Piston plug	Valve body
MATERIAL	Special copper wire (H class)	Stainless steel	Stainless steel	Stainless steel	PTFE	Brass	PTFE	Cast Bronze



SPECIFICATION

AC															
MODEL	Waterproof DIN/flying lead Coil	NASS DIN Coil (IP65)	PIPE SIZE	CV	ORIFICE	FLUID TEMP. (°C)	Operating Pressure kgf / cm ² (bar)					Dimension (mm)			Weight (kg)
							Water	Air	Steam	Light oil	Gas	L	H	D	
USS-15			1/2"	3	14mm	-5°C ~ +185°C	0~8	0~10	0~10	0~7		63	108	48	0.83
DC															
MODEL	Waterproof DIN/flying lead Coil	NASS DIN Coil (IP65)	PIPE SIZE	CV	ORIFICE	FLUID TEMP. (°C)	Operating Pressure kgf / cm ² (bar)					Dimension (mm)			Weight (kg)
							Water	Air	Steam	Light oil	Gas	L	H	D	
USS-15			1/2"	3	14mm	-5°C ~ +185°C	0~5	0~7	0~7	0~5		63	108	48	0.83

UPS-15~25



UD Series

PRODUCT DESCRIPTION

- UPS series is multiplex, pilot operated piston, conductive and normally closed (NC) 2/2 way solenoid valve.
- Specially suitable for frequent operation
- Availability of fluid type: water, air, steam, light oil
- Acceptable for customization Viton , Silicone and EPDM plug

CAUTIONS:

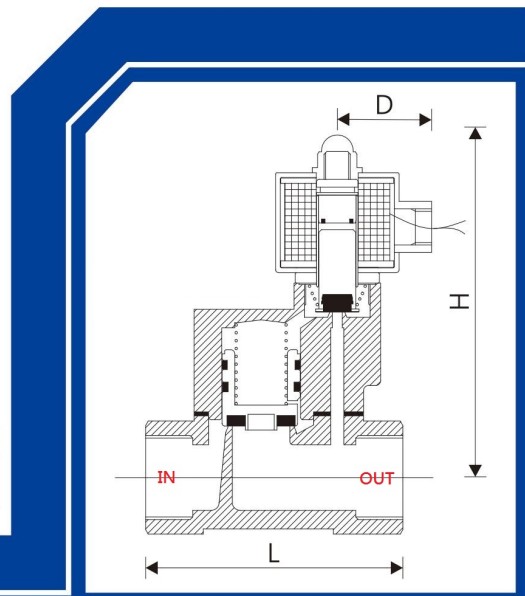
- Minimum pressure to open: over 0.5kgf-cm²
- Before pipelining, the pipe line must be very clean without any contaminants or any other things not ought to be existed.
- To prolong the life time of the product, Y-line filter should be installed in the front end of solenoid valve.
- AC voltage tolerance: ± 10%; DC voltage tolerance: ± 1%
- It should be installed horizontally; vertical installation is not advisable.

Not Suitable For Fluid As Below:

- Liquid status when it is high temperature; solid status when it is cool.
- Corrosive fluid
- Viscosity over 20 cst

MATERIAL:

PARTS	Coil	Tube	Spring	Core	Plug	Piston Spring	Piston	Piston plug	Valve body
MATERIAL	Special copper wire (H class)	Stainless steel	Stainless steel	Stainless steel	PTFE	Stainless steel	Brass	PTFE	Cast Bronze

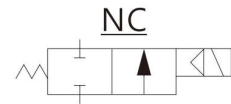
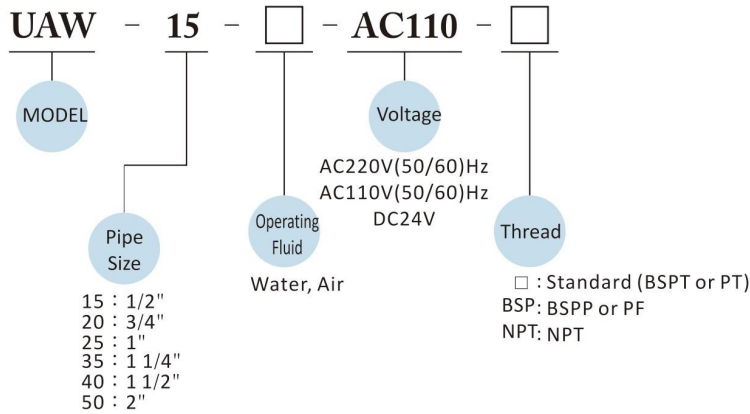


SPECIFICATION

MODEL	Waterproof DIN/flying lead Coil	NASS DIN Coil (IP65)	PIPE SIZE	CV	ORIFICE	FLUID TEMP. (°C)	Operating Pressure kgf / cm ² (bar)					Dimension (mm)			Weight (kg)
							Water	Air	Steam	Light oil	Gas	L	H	D	
UPS-15	●	●	1/2"	4.0	17mm	-5°C ~ +185°C	0.5~10	0.5~10	0.5~10	0.5~10		82	118	48	1.32
UPS-20	●	●	3/4"	6.0	17mm	-5°C ~ +185°C	0.5~10	0.5~10	0.5~10	0.5~10		82	120	48	1.44
UPS-25	●	●	1"	12	22mm	-5°C ~ +185°C	0.5~10	0.5~10	0.5~10	0.5~10		100	135	48	2.13

UAW-15~50

UD Series



PRODUCT DESCRIPTION

- UAW series is multiplex, pilot operated piston, conductive and normally closed (NC) 2/2 way solenoid valve.
- Availability of fluid type: water, air

CAUTIONS:

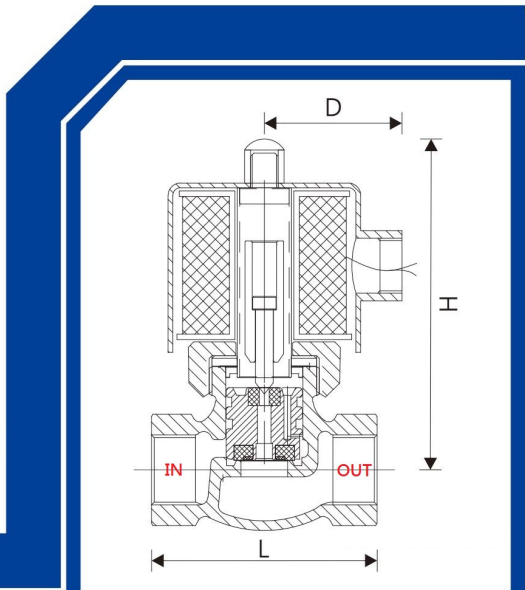
- Minimum pressure to open: over 0.5~1kgf-cm²
- Before pipelining, the pipe line must be very clean without any contaminants or any other things not ought to be existed.
- To prolong the life time of the product, Y-line filter should be installed in the front end of solenoid valve.
- AC voltage tolerance: ± 10%; DC voltage tolerance: ± 1%
- It should be installed horizontally; vertical installation is not advisable.

Not Suitable For Fluid As Below:

- Liquid status when it is high temperature; solid status when it is cool.
- Corrosive fluid
- Viscosity over 50 cst

MATERIAL:

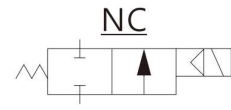
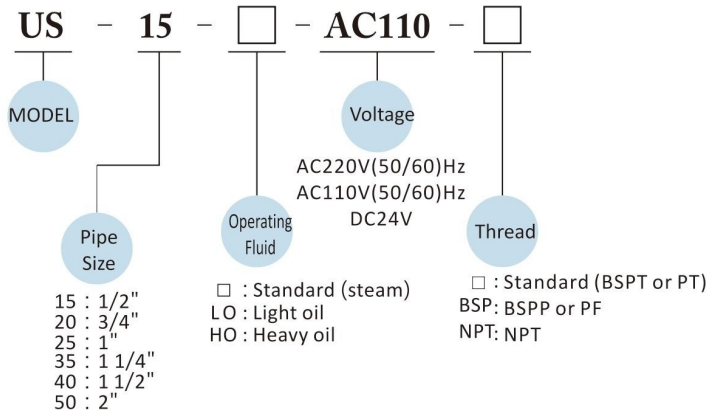
PARTS	Coil	Tube	Spring	Core	Plug	Piston	Piston plug	Valve body
MATERIAL	Special copper wire (H class)	Stainless steel	Stainless steel	Stainless steel	PTFE +15%GF	Brass	NBR	Cast Bronze



SPECIFICATION

MODEL	Waterproof DIN/flying lead Coil	NASS DIN Coil (IP65)	PIPE SIZE	CV	ORIFICE	FLUID TEMP. (°C)	Operating Pressure kgf / cm ² (bar)					Dimension (mm)			Weight (kg)
							Water	Air	Steam	Light oil	Gas	L	H	D	
UAW-15			1/2"	4.0	17mm	-5°C ~ +80°C	0.5~10	0.5~15				82	125	58	1.6
UAW-20			3/4"	6.0	17mm	-5°C ~ +80°C	0.5~10	0.5~15				82	125	58	1.67
UAW-25			1"	12	22mm	-5°C ~ +80°C	0.5~10	0.5~15				91	133	58	2.02
UAW-35			1 1/4"	18	30mm	-5°C ~ +80°C	1~10	1~15				111	141	58	3.08
UAW-40			1 1/2"	22	30mm	-5°C ~ +80°C	1~10	1~15				111	144	58	3.1
UAW-50			2"	48	50mm	-5°C ~ +80°C	1~10	1~15				163	175	58	6.82

US-15~50



UD Series

PRODUCT DESCRIPTION

- US series is multiplex, pilot operated piston, conductive and normally closed (NC) 2/2 way solenoid valve.
- Availability of fluid type: steam, heavy oil, Light oil

CAUTIONS:

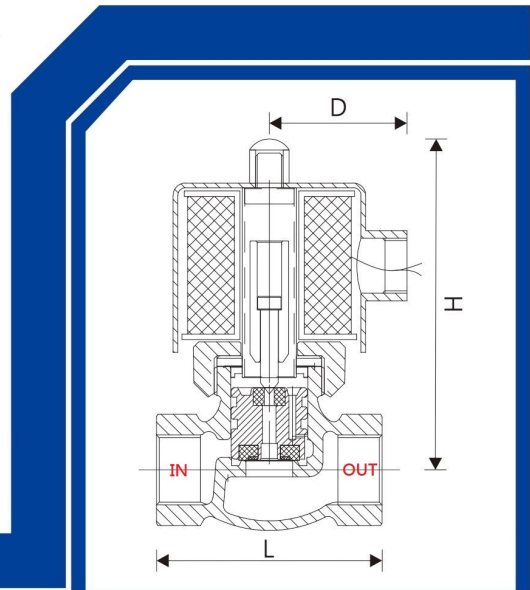
- Minimum pressure to open: over 0.5~1kgf-cm²
- Before pipelining, the pipe line must be very clean without any contaminants or any other things not ought to be existed.
- To prolong the life time of the product, Y-line filter should be installed in the front end of solenoid valve.
- AC voltage tolerance: ± 10%; DC voltage tolerance: ± 1%
- It should be installed horizontally; vertical installation is not advisable.

Not Suitable For Fluid As Below:

- Liquid status when it is high temperature; solid status when it is cool.
- Corrosive fluid
- Viscosity over 20 cst

MATERIAL:

PARTS	Coil	Tube	Spring	Core	Plug	Piston plug	Valve body
MATERIAL	Special copper wire (H class)	Stainless steel	Stainless steel	Stainless steel	PTFE +15%GF	PTFE	Cast Bronze

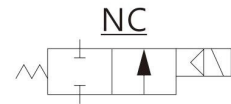
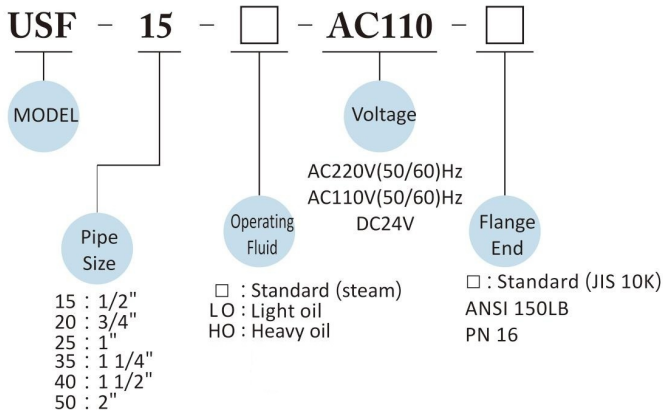


SPECIFICATION

MODEL	Waterproof DIN/flying lead Coil	NASS DIN Coil (IP65)	PIPE SIZE	CV	ORIFICE	FLUID TEMP. (°C)	Operating Pressure kgf / cm ² (bar)					Dimension (mm)			Weight (kg)
							Water	Air	Steam	heavy oil	Gas	L	H	D	
US-15			1/2"	4.0	17mm	-5°C ~ +185°C			0.5~10	0.5~10		82	125	58	1.6
US-20			3/4"	6.0	17mm	-5°C ~ +185°C			0.5~10	0.5~10		82	125	58	1.67
US-25			1"	12	22mm	-5°C ~ +185°C			0.5~10	0.5~10		91	133	58	2.02
US-35			1 1/4"	18	30mm	-5°C ~ +185°C			1~10	1~10		111	141	58	3.08
US-40			1 1/2"	22	30mm	-5°C ~ +185°C			1~10	1~10		111	144	58	3.1
US-50			2"	48	50mm	-5°C ~ +185°C			1~10	1~10		163	175	58	6.82

USF-15~50

UD Series



PRODUCT DESCRIPTION

- USF series is multiplex, pilot operated piston, conductive and normally closed (NC) 2/2 way solenoid valve.
- Availability of fluid type: steam, heavy oil, Light oil

CAUTIONS:

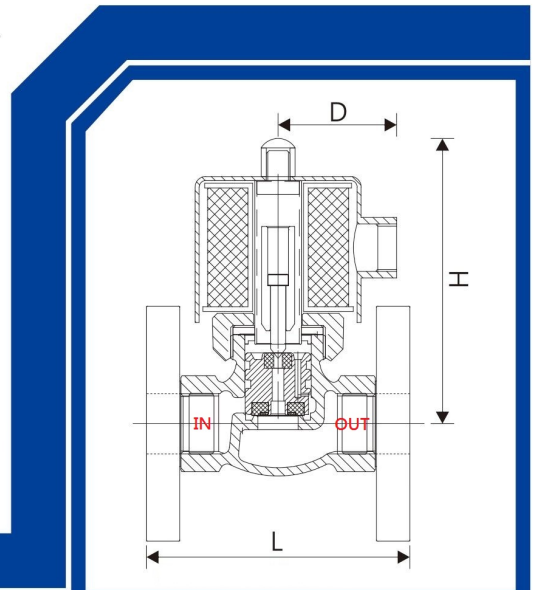
- Minimum pressure to open: over 0.5~1kgf-cm²
- Before pipelining, the pipe line must be very clean without any contaminants or any other things not ought to be existed.
- To prolong the life time of the product, Y-line filter should be installed in the front end of solenoid valve.
- AC voltage tolerance: ± 10%; DC voltage tolerance: ± 1%
- It should be installed horizontally; vertical installation is not advisable.

Not Suitable For Fluid As Below:

- Liquid status when it is high temperature; solid status when it is cool.
- Corrosive fluid
- Viscosity over 20 cst

MATERIAL:

PARTS	Coil	Tube	Spring	Core	Plug	Piston	Piston plug	Valve body
MATERIAL	Special copper wire (H class)	Stainless steel	Stainless steel	Stainless steel	PTFE +15%GF	Brass	PTFE	Cast Bronze



SPECIFICATION

MODEL	Waterproof DIN/flying lead Coil	NASS DIN Coil (IP65)	PIPE SIZE	CV	ORIFICE	FLUID TEMP. (°C)	Operating Pressure kgf / cm ² (bar)					Dimension (mm)			Weight (kg)
							Water	Air	Steam	heavy oil	Gas	L	H	D	
USF-15			1/2"	4.0	17mm	-5°C ~ +185°C			0.5~10	0.5~10		110	125	58	2.8
USF-20			3/4"	6.0	17mm	-5°C ~ +185°C			0.5~10	0.5~10		110	125	58	3.2
USF-25			1"	12	22mm	-5°C ~ +185°C			0.5~10	0.5~10		120	133	58	4.4
USF-35			1 1/4"	18	30mm	-5°C ~ +185°C			1~10	1~10		140	141	58	6.3
USF-40			1 1/2"	22	30mm	-5°C ~ +185°C			1~10	1~10		140	144	58	6.5
USF-50			2"	48	50mm	-5°C ~ +185°C			1~10	1~10		195	175	58	10.9