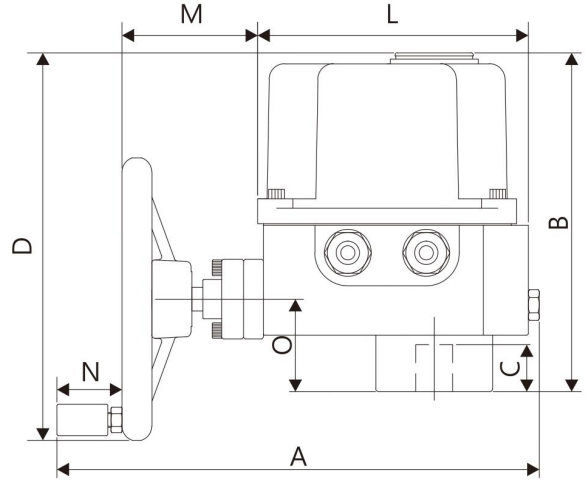


# UM-3-1

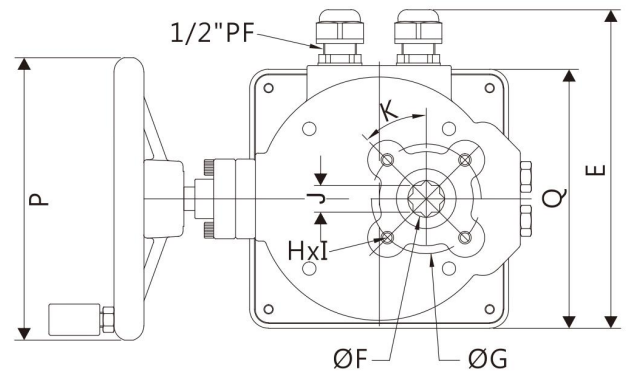


Product Specification

**UM-3-1- 8 - AC110 - 25 - □ - □**

- Model**
- Voltage**  
AC220V(50/60)Hz  
AC110V(50/60)Hz  
DC24V
- Speed 90 sec(60Hz)**
- Power**  
AC : 25W (Standard)  
40W  
60W  
DC : 30W
- Extra Switches**  
□ : Without Extra Switches (standard)  
A : Extra Switches
- Heater**  
□ : Without heater (standard)  
H : Heater

AC : □ : 8sec (Standard)  
1 : 1sec  
DC : □ : 8sec (Standard)  
1 : 1sec



<h1>mm</h1>											L	M	N	O	P	Q	ISO 5211
											173	85	65	59	120	165	F07
Model	A	B	C	D	E	F	G	H	I	J Max	K						
UM-3-1	330	218	30	225	203	23.5	70	M8	4	17.05	45°						

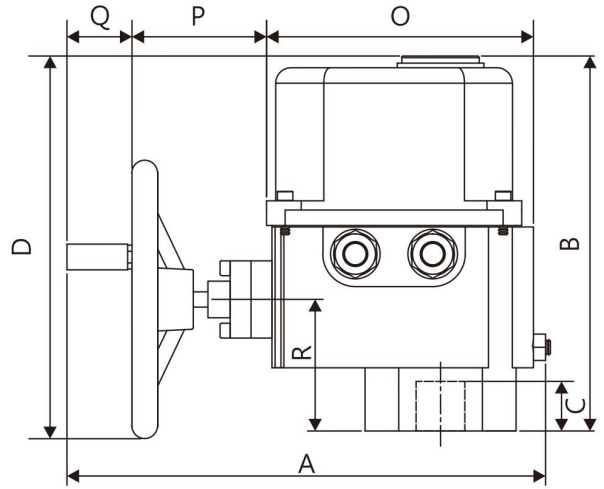
● For modulating series and DC voltage, B + 26mm.

<h1>inch</h1>											L	M	N	O	P	Q	ISO 5211
											6.81	3.4	2.55	2.32	4.72	6.5	F07
Model	A	B	C	D	E	F	G	H	I	J Max	K						
UM-3-1	13	8.58	1.18	8.86	7.99	0.93	2.76	M8	4	0.67	45°						

● For modulating series and DC voltage, B + 1.12inch.

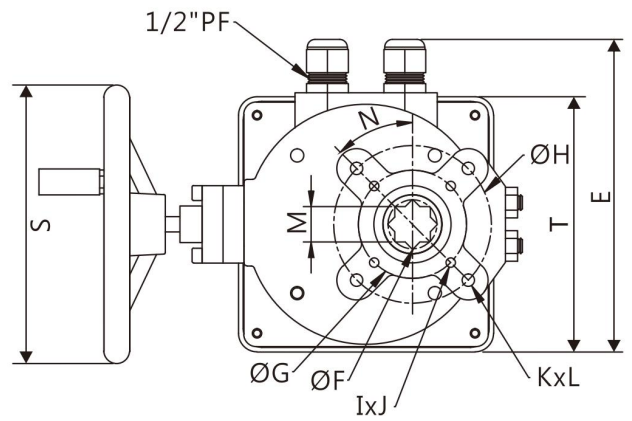
# UM-4

Product Specification



**UM-4 - 20 - AC110 - 25 - □ - □**

- Model**
- Voltage**  
AC220V(50/60)Hz  
AC110V(50/60)Hz  
DC24V
- Speed 90 sec(60Hz)**
- AC : □ : 30sec (Standard)**  
**20 : 20sec**
- DC : □ : 30sec (Standard)**  
**20 : 20sec**
- Power**  
AC : 25W  
DC : 30W
- Extra Switches**  
□ : Without Extra Switches (standard)  
A : Extra Switches
- Heater**  
□ : Without heater (standard)  
H : Heater



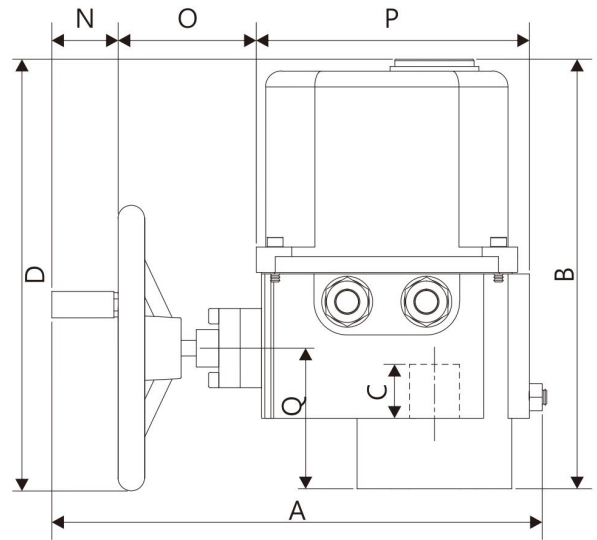
<b>mm</b>											L	M <sub>Max</sub>	N	O	P	Q	R	S	T	ISO 5211
											4	22.05	45°	173	85	65	85	120	165	F07 / F10
Model	A	B	C	D	E	F	G	H	I	J	K									
UM-4	330	244	30	225	203	30.6	70	102	M8	4	M10									

● For modulating series and DC voltage, B + 26mm.

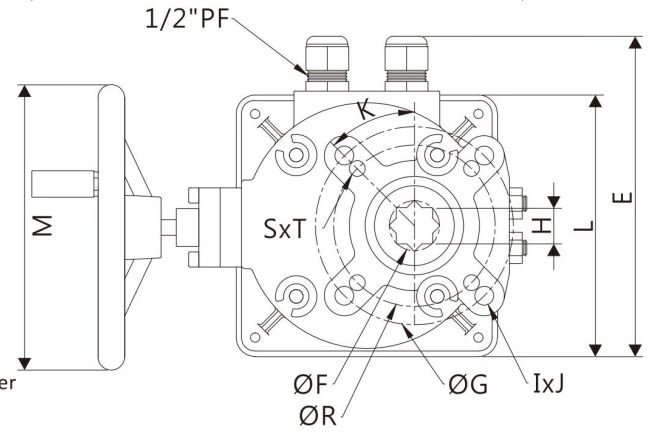
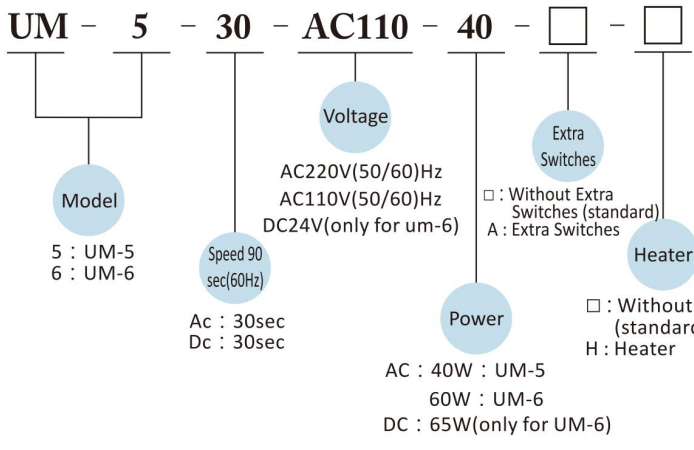
<b>inch</b>											L	M <sub>Max</sub>	N	O	P	Q	R	S	T	ISO 5211
											4	0.87	45°	6.81	3.4	2.6	3.35	4.7	6.5	F07 / F10
Model	A	B	C	D	E	F	G	H	I	J	K									
UM-4	13	9.61	1.18	8.9	7.99	1.2	2.76	4.02	M8	4	M10									

● For modulating series and DC voltage, B + 1.12inch.

# UM-5~6



Product Specification



mm						K	L	M	N	O	P	Q	R	S	T	ISO 5211
						45°	165	120	65	85	173	92	102	M10	4	F10 / F12
Model	A	B	C	D	E	F	G	H Max	I	J						
UM-5~6	340	276	34	245	203	36.5	125	27.05	M12	4						

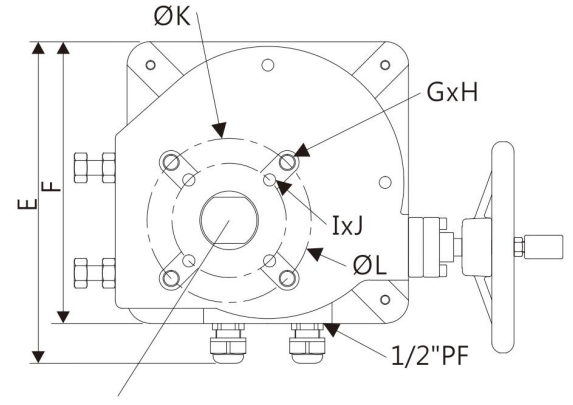
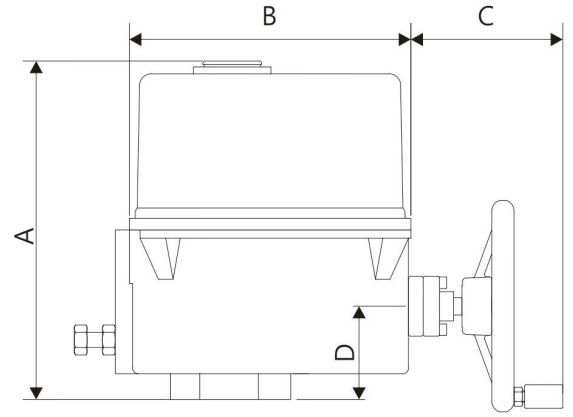
● For DC voltage, B + 31mm.

inch						K	L	M	N	O	P	Q	R	S	T	ISO 5211
						45°	6.5	4.7	2.6	3.4	6.81	3.62	4.02	M10	4	F10 / F12
Model	A	B	C	D	E	F	G	H Max	I	J						
UM-5~6	13.4	10.87	1.34	9.7	7.99	1.44	4.92	1.06	M12	4						

● For DC voltage, B + 1.22inch.

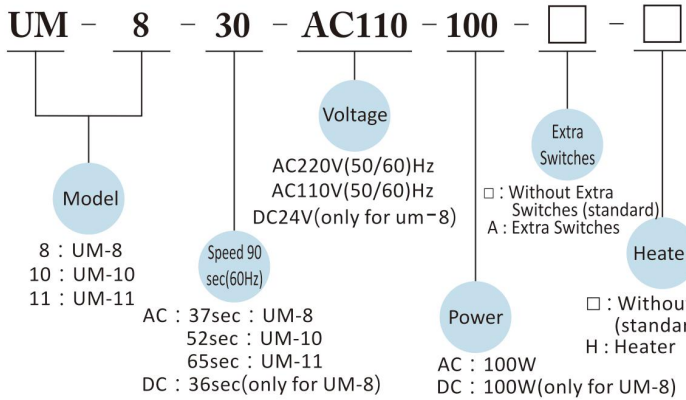
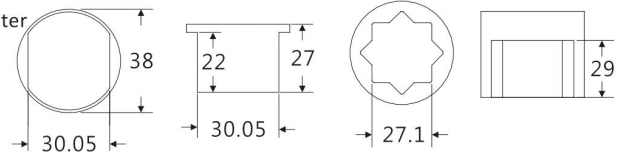
# UM-8~11

Product Specification



Shaft Type 1

Shaft Type 2



**mm**

Model	A	B	C	D	E	F	G	H	I	J	K	L	ISO 5211
UM-8~11	289	240	132	80	275	240	M16	4	M10	4	102	140	F10 / F14

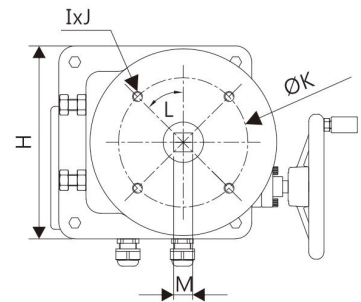
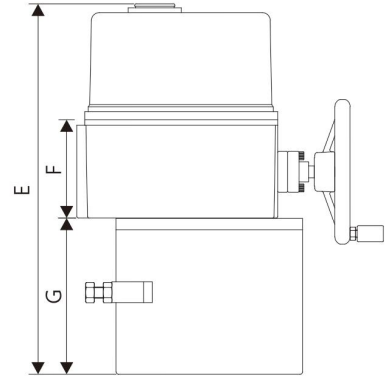
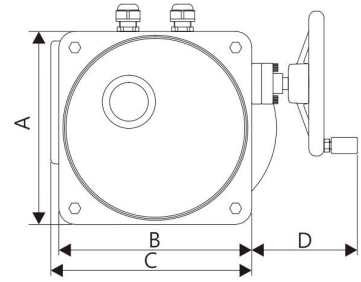
● UM-8: For DC voltage, A + 54mm.

**inch**

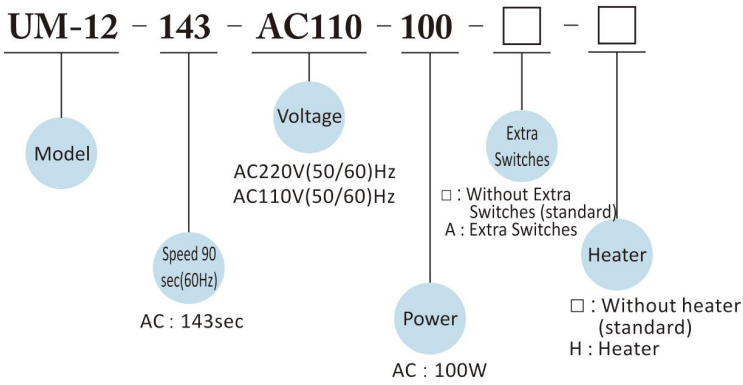
Model	A	B	C	D	E	F	G	H	I	J	K	L	ISO 5211
UM-8~11	11.38	9.45	5.2	3.15	10.83	9.45	M16	4	M10	4	4.02	5.51	F10 / F14

● UM-8: For DC voltage, A + 2.13inch.

# UM-12



Product Specification



mm											K	L	M(Customization)	ISO 5211
											165	45°	27.1~36.1	F16
Model	A	B	C	D	E	F	G	H	I	J				
UM-12	240	240	250	132	475	123	194	240	M20	4				

inch											K	L	M(Customization)	ISO 5211
											6.5	45°	1.07~1.42	F16
Model	A	B	C	D	E	F	G	H	I	J				
UM-12	9.45	9.45	9.84	5.2	18.7	4.84	7.64	9.45	M20	4				