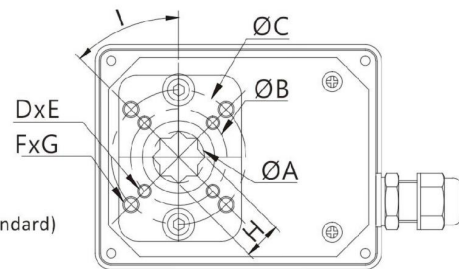
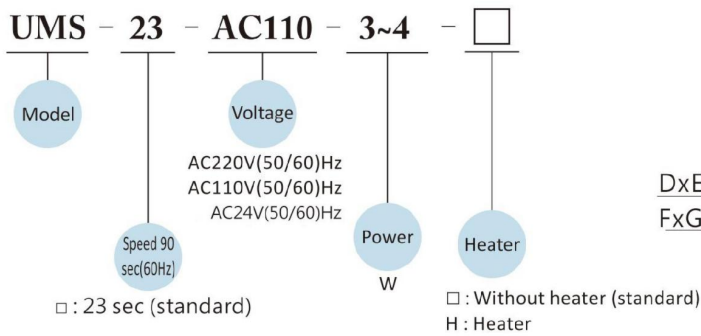
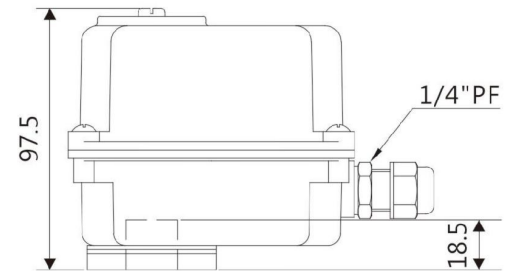
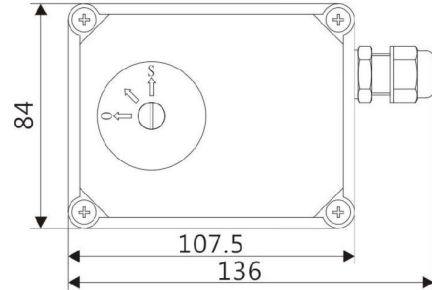


UMS

Product Specification



mm

Model	A	B	C	D	E	F	G	H Max	I	ISO 5211
UMS	19.3	36	50	M5	4	M6	4	14.03	45°	F03 / F05

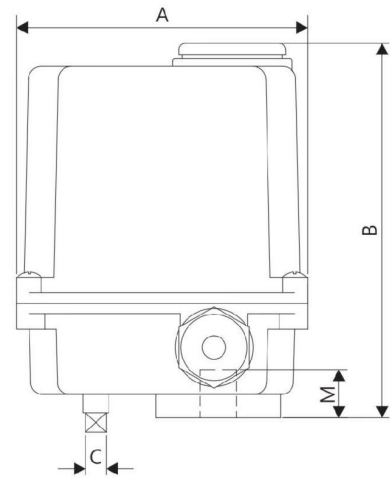
• Optional: ISO5211 F04, F05/F07

inch

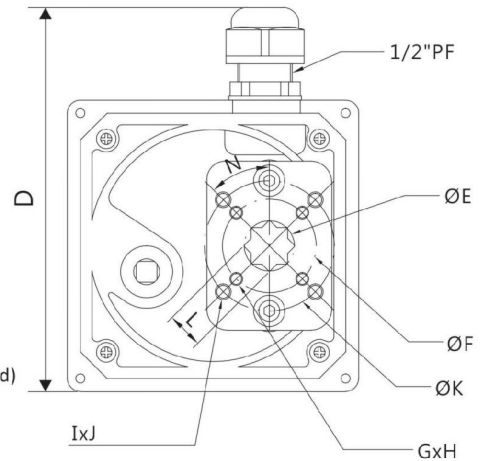
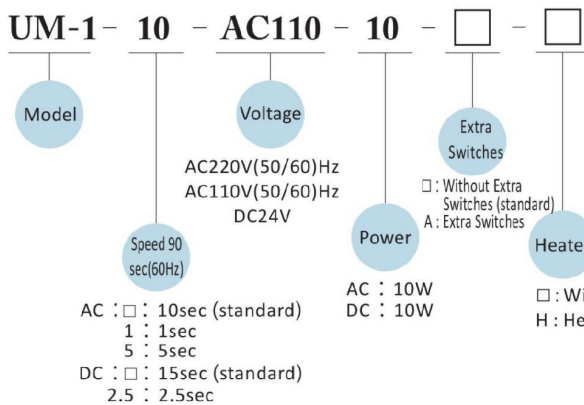
Model	A	B	C	D	E	F	G	H Max	I	ISO 5211
UMS	0.76	1.42	1.97	M5	4	M6	4	0.55	45°	F03 / F05

• Optional: ISO5211 F04, F05/F07

UM-1



Product Specification



mm

Model	A	B	C	D	E	F	G	H	I	J	K	L Max	M	N	ISO 5211
UM-1	118	145	8	140	19.3	36	M5	4	M6	4	50	14.03	19	45°	F03 / F05

• Optional:
ISO5211 F04, F05/F07

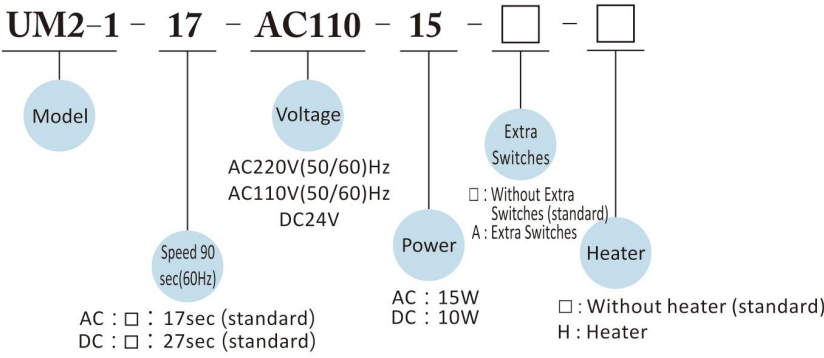
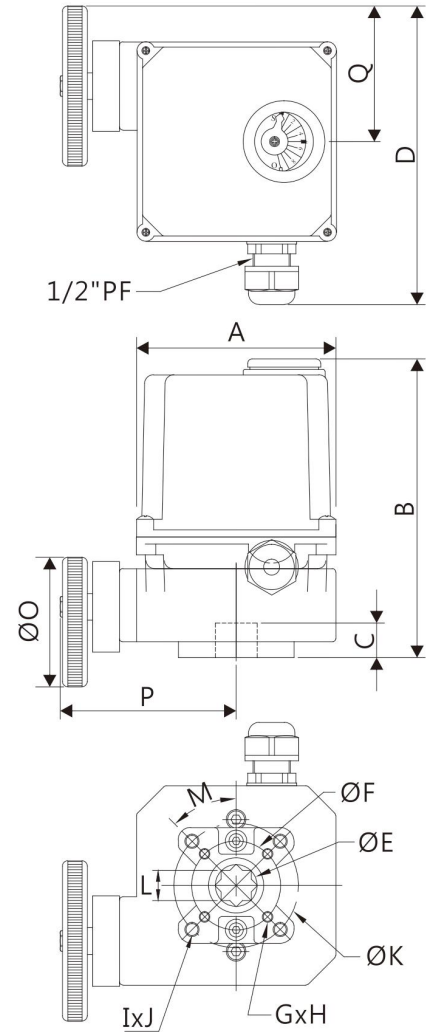
inch

Model	A	B	C	D	E	F	G	H	I	J	K	L Max	M	N	ISO 5211
UM-1	4.65	5.71	0.31	5.51	0.76	1.42	M5	4	M6	4	1.97	0.55	0.75	45°	F03 / F05

• Optional:
ISO5211 F04, F05/F07

UM2-1

Product Specification



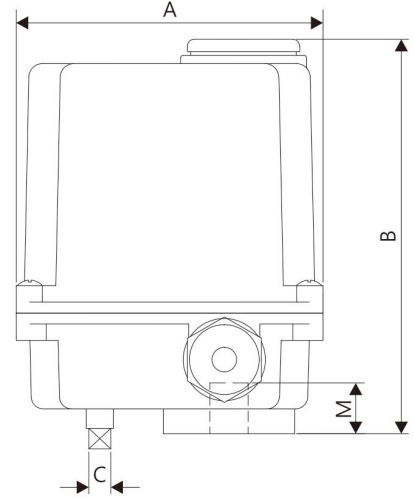
mm

Model	A	B	C	D	E	F	G	H	I	J	K	L _{Max}	M	O	P	Q	ISO 5211
UM2-1	117	185	19.2	148	23.5	50	M6	4	M8	4	70	17.03	45°	90	100	76	F05 / F07

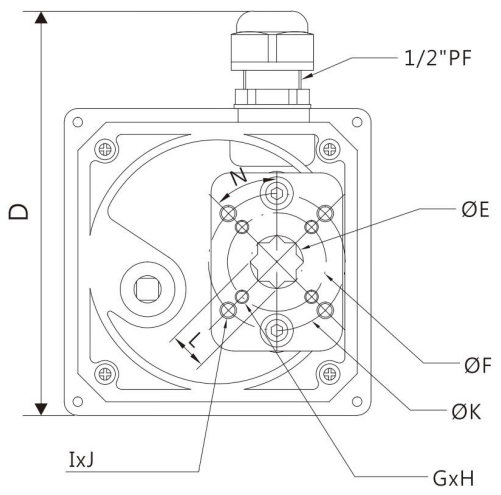
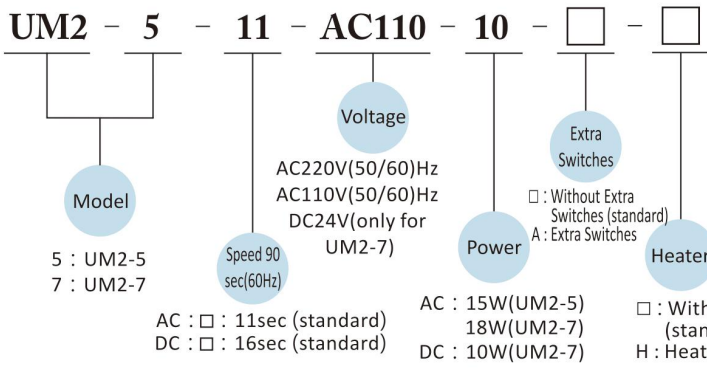
inch

Model	A	B	C	D	E	F	G	H	I	J	K	L _{Max}	M	O	P	Q	ISO 5211
UM2-1	4.61	7.28	0.76	5.83	0.93	1.97	M6	4	M8	4	2.76	0.67	45°	3.54	3.94	2.99	F05 / F07

UM2-5~2-7



Product Specification



mm

Model	A	B	C	D	E	F	G	H	I	J	K	L _{Max}	M	N	ISO 5211
UM2-5~7	118	145	8	140	19.3	36	M5	4	M6	4	50	14.03	19	45°	F03 / F05

● **Optional:** ISO5211 F04, F05/F07

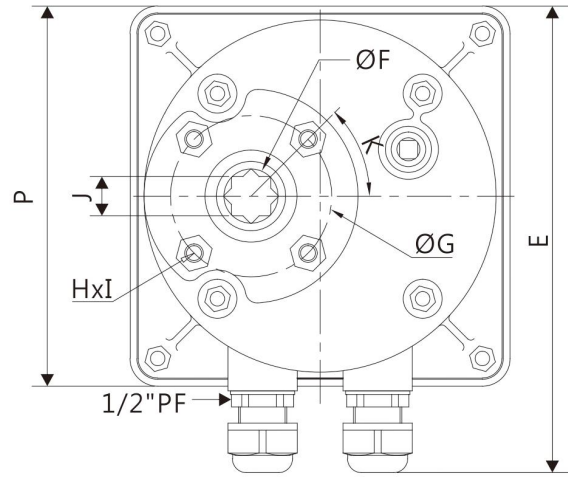
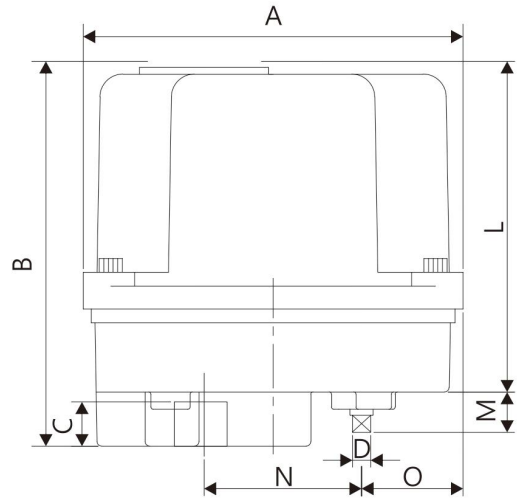
inch

Model	A	B	C	D	E	F	G	H	I	J	K	L _{Max}	M	N	ISO 5211
UM2-5~7	4.65	5.71	0.31	5.51	0.76	1.42	M5	4	M6	4	1.97	0.55	0.75	45°	F03 / F05

● **Optional:** ISO5211 F04, F05/F07

UM-3

Product Specification



- UM-3- 8 - AC110 - 25 - □ - □**
- Model**
 - Speed** 90 sec(60Hz)
 - Voltage**
AC220V(50/60)Hz
AC110V(50/60)Hz
DC24V
 - Power**
AC : 25W (Standard)
40W
60W
DC : 30W
 - Extra Switches**
□ : Without Extra Switches (standard)
A : Extra Switches
 - Heater**
□ : Without heater (standard)
H : Heater
- AC : □ : 8sec (Standard)
1 : 1sec
DC : □ : 8sec (Standard)
1 : 1sec

mm

Model	A	B	C	D	E	F	G	H	I	J _{Max}	K	L	M	N	O	P	ISO 5211
UM-3	165	172	20	8	203	23.5	70	M8	4	17.05	45°	148	17.3	68.4	44.2	165	F07

● For modulating series and DC voltage, B + 26mm.

inch

Model	A	B	C	D	E	F	G	H	I	J _{Max}	K	L	M	N	O	P	ISO 5211
UM-3	6.5	6.77	0.79	0.31	7.99	0.93	2.76	M8	4	0.67	45°	5.83	0.68	2.69	1.74	6.5	F07

● For modulating series and DC voltage, B + 1.12inch.