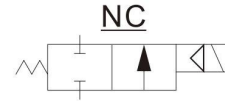
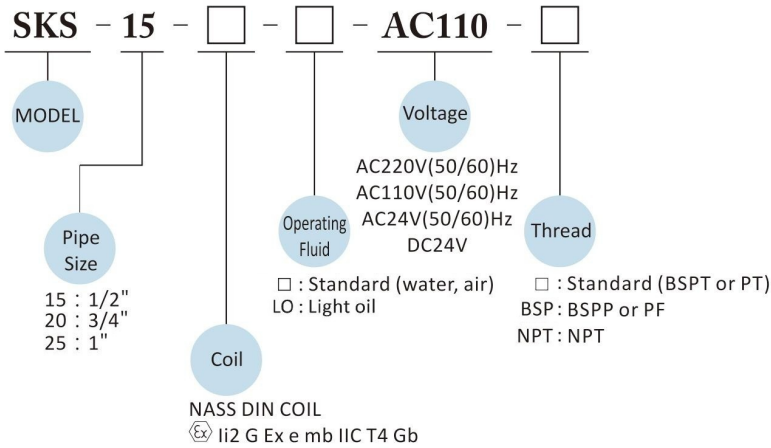


# SKS-15~25



## PRODUCT DESCRIPTION

- SKS series is multiplex, pilot operated piston, conductive, and normally closed (NC)2/2 way solenoid valve.
- Explosion proof protection level: EX II2 G Ex e mb IIC T4 Gb
- IP 67
- Specially suitable for frequent operation
- Availability of fluid type: water, air, light oil

## CAUTIONS:

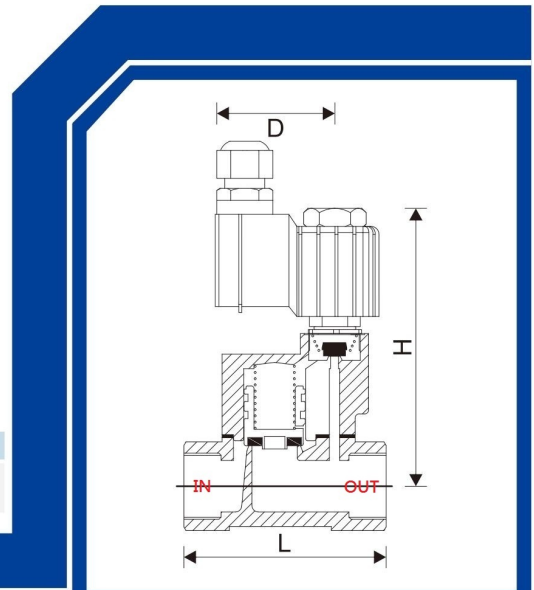
- Minimum pressure to open: over 0.5kgf-cm<sup>2</sup>
- Before pipelining, the pipe line must be very clean without any contaminants or any other things not ought to be existed.
- To prolong the life time of the product, Y-line filter should be installed in the front end of solenoid valve.
- Ambient temperature should be under 70°C
- Operating temperature should be under 60°C
- AC voltage tolerance: ± 10%; DC voltage tolerance: ± 1%
- It should be installed horizontally; vertical installation is not advisable.

## Not Suitable For Fluid As Below:

- Liquid status when it is high temperature solid status when cool.
- Corrosive fluid
- Viscosity over 20cst

## MATERIAL:

PARTS	Coil	Tube	Spring	Core	Plug	Piston Spring	Piston	Piston plug	Valve body
MATERIAL	NASS ex-proof DIN COIL	Stainless steel	Stainless steel	Stainless steel	VITON	Stainless steel	Stainless steel	PTFE	Stainless steel

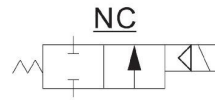
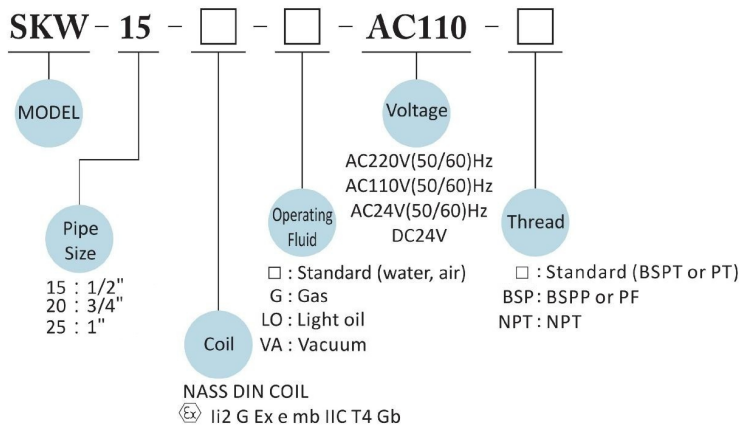


## SPECIFICATION

MODEL	Waterproof DIN/flying lead Coil	NASS DIN Coil (IP65)	PIPE SIZE	CV	ORIFICE	FLUID TEMP. (°C)	Operating Pressure kgf / cm <sup>2</sup> (bar)					Dimension (mm)			Weight (kg)
							Water	Air	Steam	Light oil	Gas	L	H	D	
SKS-15			1/2"	4.0	17mm	-5°C ~ +70°C	0.5~10	0.5~10		0.5~10		84	170	62	1.61
SKS-20			3/4"	6.0	17mm	-5°C ~ +70°C	0.5~10	0.5~10		0.5~10		84	171	62	1.68
SKS-25			1"	12	22mm	-5°C ~ +70°C	0.5~10	0.5~10		0.5~10		98	181	62	2.08

Explosion Proof Series

# SKW-15~25



### PRODUCT DESCRIPTION

- SKW series is direct, multiplex, connected diaphragm, conductive, and normally closed (NC)2/2 way solenoid valve.
- Explosion proof Protection Level: EX II 2 G Ex e mb IIC T4 Gb
- IP 67
- Able to be operated directly under low pressure
- Availability of fluid type: water, air, light oil, gas, vacuum
- Acceptable for customization Viton , Silicone and EPDM for diaphragm

### CAUTIONS:

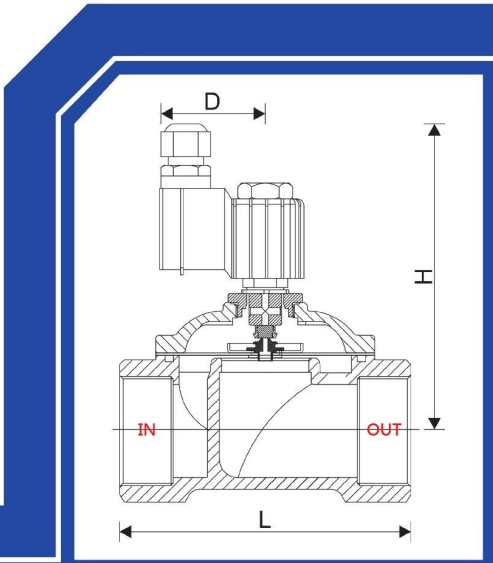
- Before pipelining, the pipe line must be very clean without any contaminants or any other things not ought to be existed.
- To prolong the life time of the product, Y-line filter should be installed in the front end of solenoid valve.
- Ambient temperature should be under 70°C
- Operating temperature should be under 60°C
- AC voltage tolerance: ± 10%; DC voltage tolerance: ± 1%
- It should be installed horizontally; vertical installation is not advisable.

### Not Suitable For Fluid As Below:

- Liquid status when it is high temperature; solid status when it is cool.
- Corrosive fluid
- Crystallized fluid, Ex: sea water
- Viscosity over 20cst

### MATERIAL:

PARTS	Coil	Tube	Spring	Core	Plug	Diaphragm	Valve body
MATERIAL	NASS ex-proof DIN COIL	Stainless steel	Stainless steel	Stainless steel	Viton	NBR	Stainless steel



### SPECIFICATION

MODEL	Waterproof DIN/flying lead Coil	NASS DIN Coil (IP65)	PIPE SIZE	CV	ORIFICE	FLUID TEMP. (°C)	Operating Pressure kgf / cm <sup>2</sup> (bar)					Vacuum (Torr)	Dimension (mm)			Weight (kg)
							Water	Air	Steam	Light oil	Gas		L	H	D	
SKW-15			1/2"	4.5	15mm	-5°C ~ +70°C	0~5	0~7		0~5	0~7	0~10 <sup>-3</sup>	70	133	62	1.04
SKW-20			3/4"	8.6	20mm	-5°C ~ +70°C	0~5	0~7		0~5	0~7	0~10 <sup>-3</sup>	76	140	62	1.12
SKW-25			1"	12	25mm	-5°C ~ +70°C	0~5	0~7		0~5	0~7	0~10 <sup>-3</sup>	100	147	62	1.66

Explosion Proof Series