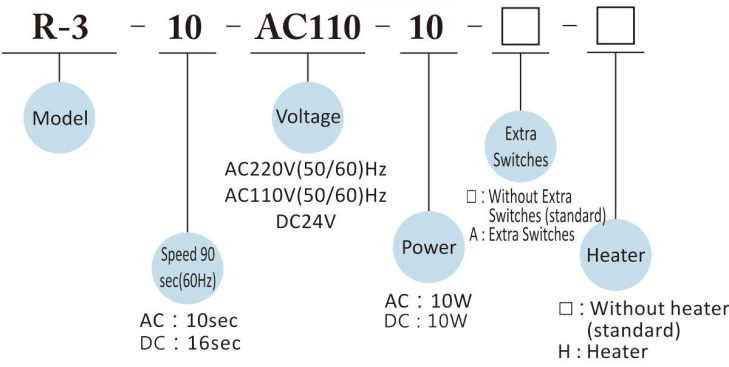
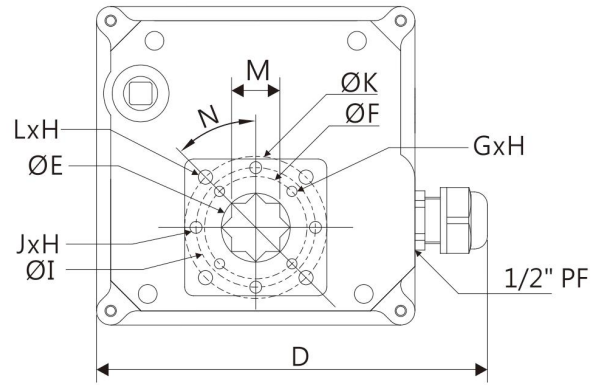
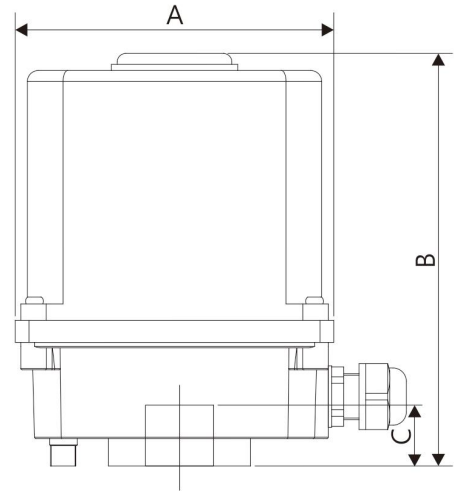


R-3

Product Specification



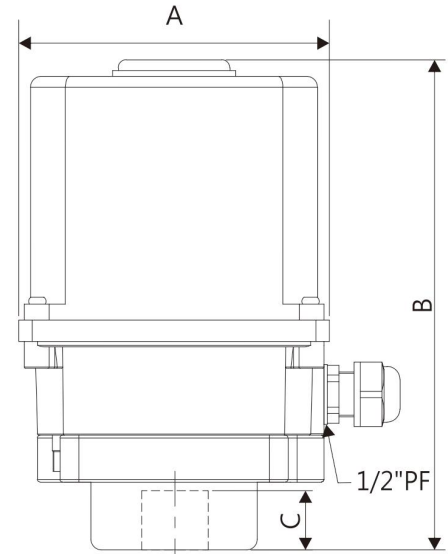
mm

Model	A	B	C	D	E	F	G	H	I	J	K	L	M _{Max}	N	ISO 5211
R-3	118	147	18	140	19.3	36	M5	4	42	M5	50	M6	14.15	45°	F03 / F04 / F05

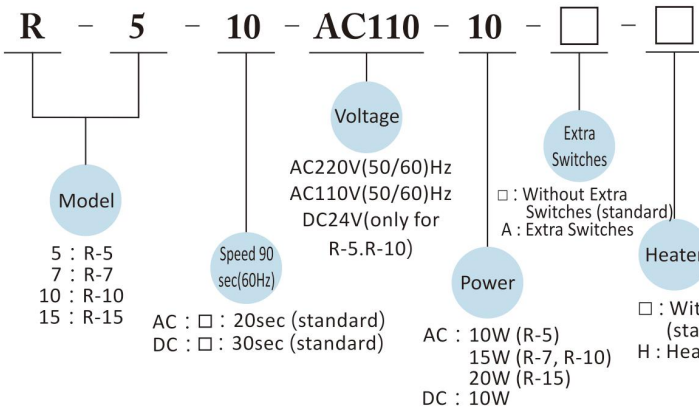
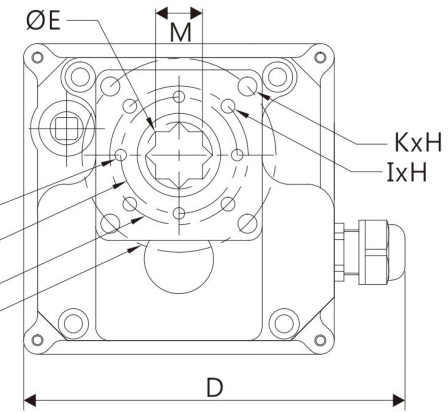
inch

Model	A	B	C	D	E	F	G	H	I	J	K	L	M _{Max}	N	ISO 5211
R-3	4.65	5.79	0.71	5.51	0.76	1.42	M5	4	1.65	M5	1.97	M6	0.56	45°	F03 / F04 / F05

R-5~15



Product Specification



mm

Model	A	B	C	D	E	F	G	H	I	J	K	L	M _{Max}	ISO 5211
R-5~15	118	183.5	18	140	23.5	42	M5	4	M6	50	M8	70	17.15	F04 / F05 / F07

inch

Model	A	B	C	D	E	F	G	H	I	J	K	L	M _{Max}	ISO 5211
R-5~15	4.65	7.22	0.71	5.51	0.93	1.65	M5	4	M6	1.97	M8	2.76	0.68	F04 / F05 / F07