

PS1000W

VACUUM SWITCH IP66

PS1000W

Proof Pressure to 1000psi
Adjustable Range: -25 ~ -760 mmHg
Temperature: -5°C ~ +150°C

[When the operating temperature exceeds 120°C, a cooling element (New-Flow's CF or CT series) must be installed!]

The New-Flow PS1000W, a water proof vacuum switch, is designed to be used in control systems. PS1000W has high set point repeatability and narrow dead band features. Easily adjusted to the set point, and no special tools needed!

Technical data

Switch Data: one SPDT & two SPDT Microswitch, 15amps 125/250VAC, DC 125V 0.4A, DC 30V 3A / Gold Contact Microswitch 1A 125/250VAC

Housing: die cast aluminum alloy with paint

Conduit Connection: Female 3/4" NPT, 1/2" NPT, M20 x P1.5, 1/2" PF available

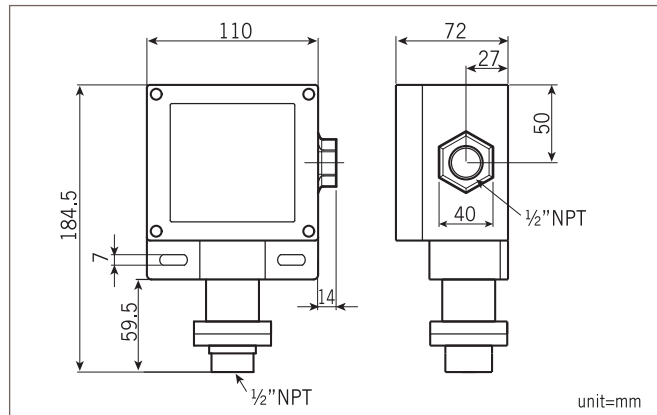
Pressure Element: Diaphragm

Process Material: Wetted parts- SS316; O-ring- Viton

Process Connection: Female 1/2" or 1/4" NPT, BSP, PT; and M20 x P1.5 thread available

Repeatability: ±1% of full scale

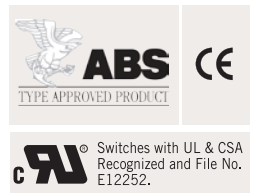
Dimensions



Patent No.

M295332
M334932
China: 920135

Approvals:



WWW.NEW-FLOW.COM • TEL: 886-7-8135500 • FAX: 886-7-8225588 • Email: info@new-flow.com

Range Table

Code	Adjustable Range	Dead Band	Maximum Pressure Proof
1R	-25 ~ -760 mmHg	10~20 mmHg	1000 psi

Ordering Information

PS1000W	Code	Range		
	1R	-25 ~ -760 mmHg		
	Code	Wetted Parts Material		
	A	SS316		
	Code	Process Connection		
	(1) 1/2" NPT (2) 1/4" NPT (3) 1/2" BSP (4) 1/4" BSP (5) 1/2" PT (6) 1/4" PT (7) M20 x P1.5			
	Code	Conduit Connection		
	(E) 3/4" NPT Female (F) 1/2" NPT Female, standard (G) M20 x P1.5 Femal (P) 1/2" PF Female			
	Code	Switch Form		
	1	Micro Switch, 1 SPDT		
2	Micro Switch, 2 SPDT (one setting point)			
3a	Gold Contact, 1 SPDT			
3b	Gold Contact, 2 SPDT (one setting point)			
Complete Ordering Code				